

WINCORE™

WINDOWS & DOORS

250 Staunton Turnpike, Parkersburg, WV 26104

5400/5400S SERIES

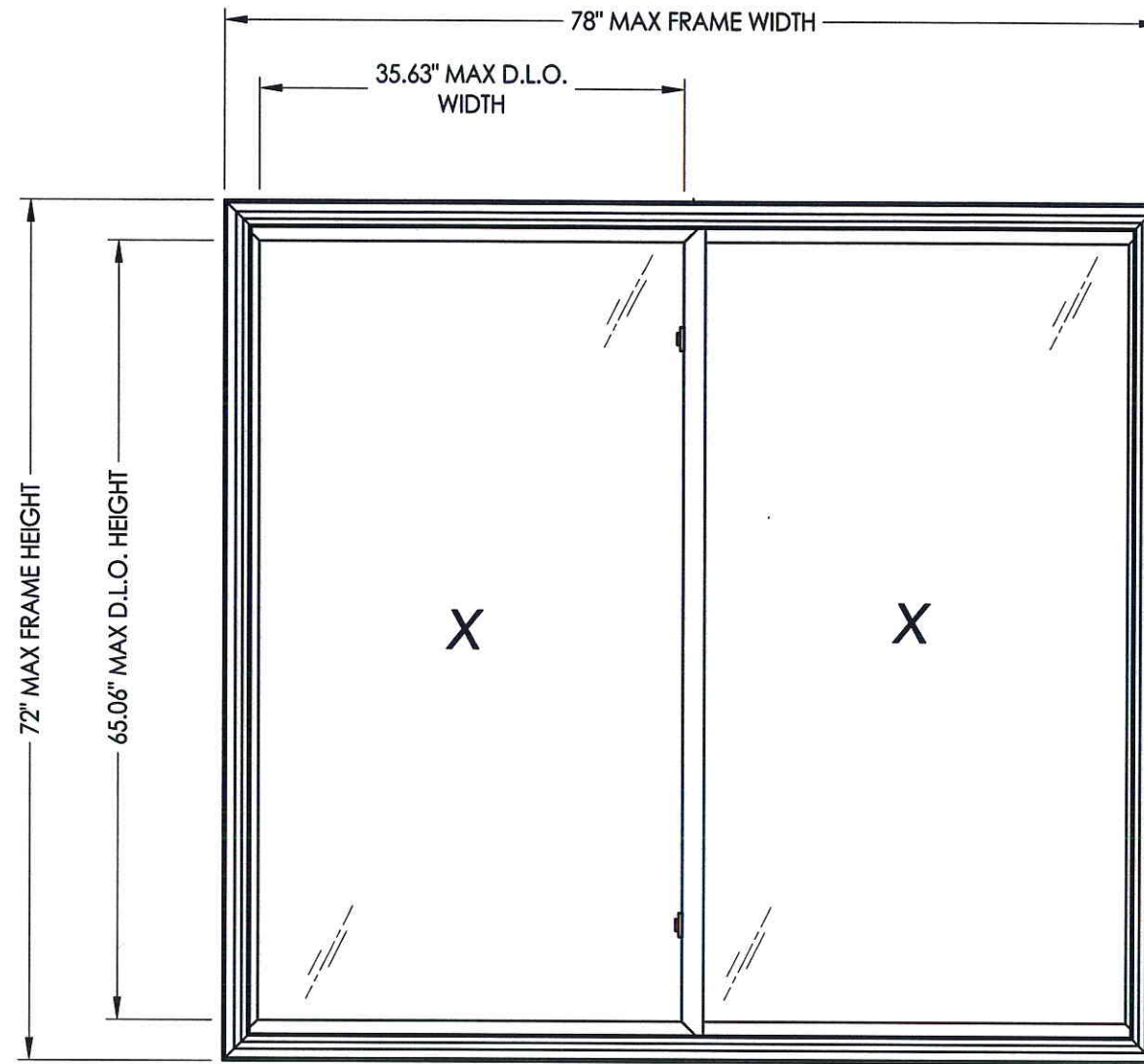
Vinyl Horizontal Sliding Window

"NON-IMPACT"

GENERAL NOTES

1. This product has been evaluated and is in compliance with the 2010 Florida Building Code (FBC) structural requirements excluding the "High Velocity Hurricane Zone" (HVHZ).
2. Product anchors shall be as listed and spaced as shown on details. Anchor embedment to base material shall be beyond wall dressing or stucco.
3. When used in areas requiring wind borne debris protection this product is required to be protected with an impact resistant covering that complies with Section 1609.1.2 of the FBC.
4. For 2x stud framing construction, anchoring of these units shall be the same as that shown for 2x buck masonry construction.
5. Site conditions that deviate from the details of this drawing require further engineering analysis by a licensed engineer or registered architect.

TABLE OF CONTENTS	
SHEET#	DESCRIPTION
1	Typical elevations, design pressures and general notes
2	Horizontal cross sections
3	Vertical cross sections
4	Buck and frame anchoring
5	Components
6	Bill of materials & glazing detail



XX SHOWN
OX, XO ALSO APPROVED

MAX. FRAME DIMENSION	MAX. D.L.O. DIMENSION	GLASS TYPE	DESIGN PRESSURE (PSF)	
			POSITIVE	NEGATIVE
63.0" X 44.0"	27.63" X 37.06"	G2	+30.0	-30.0
72.0" X 48.0"	32.13" X 41.06"	G1	+45.0	-45.0
74.0" X 63.0"	33.13" X 56.06"	G1	+25.0	-25.0
78.0" X 72.0"	35.63" X 65.06"	G1	+20.0	-20.0

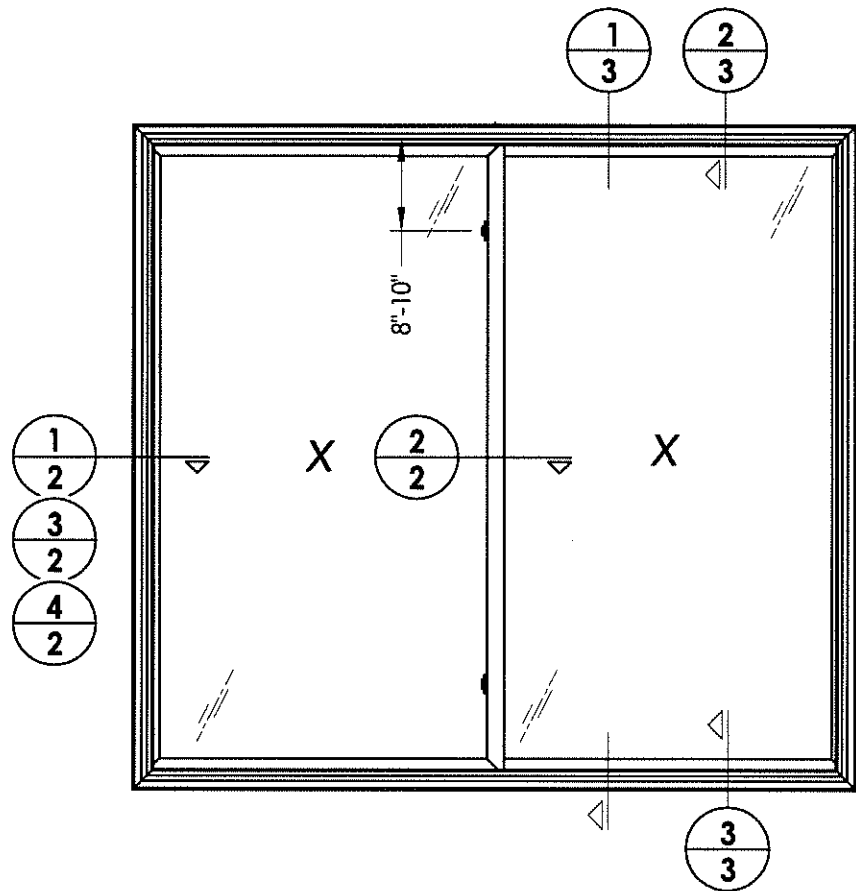
** Meeting stile reinforcement is not required

Documents Prepared By:
RW BUILDING CONSULTANTS, INC.
 P.O. Box 230 Valrico FL 33595
 Phone No.: 813.659.9197
 Florida Board of Professional Engineers
 Certificate of Authorization No. 9813
 170211.13
 Lyndon F. Schmidt, P.E. No. 43409

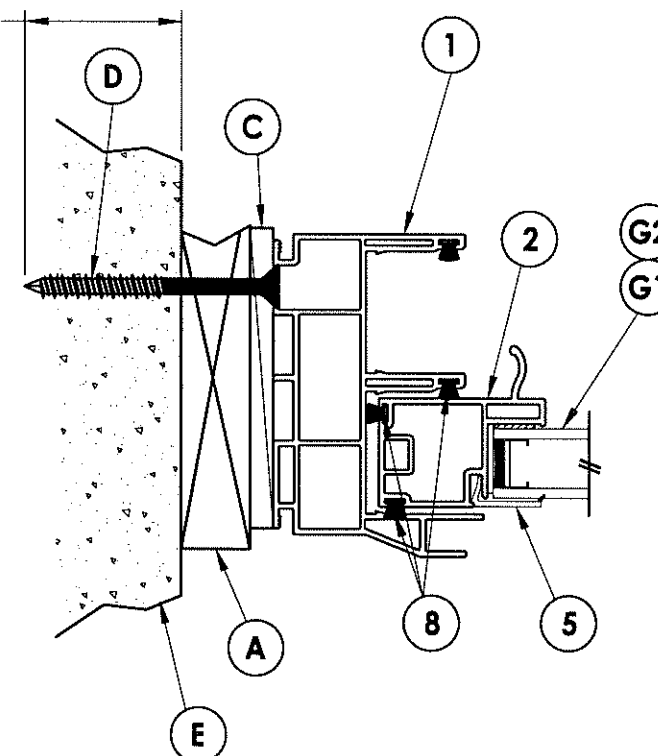
PRODUCT: 5400/5400S SERIES
 PART OR ASSEMBLY: TYPICAL ELEVATION, DESIGN PRESSURES & GENERAL NOTES

NO.	DATE	BY	REVISIONS

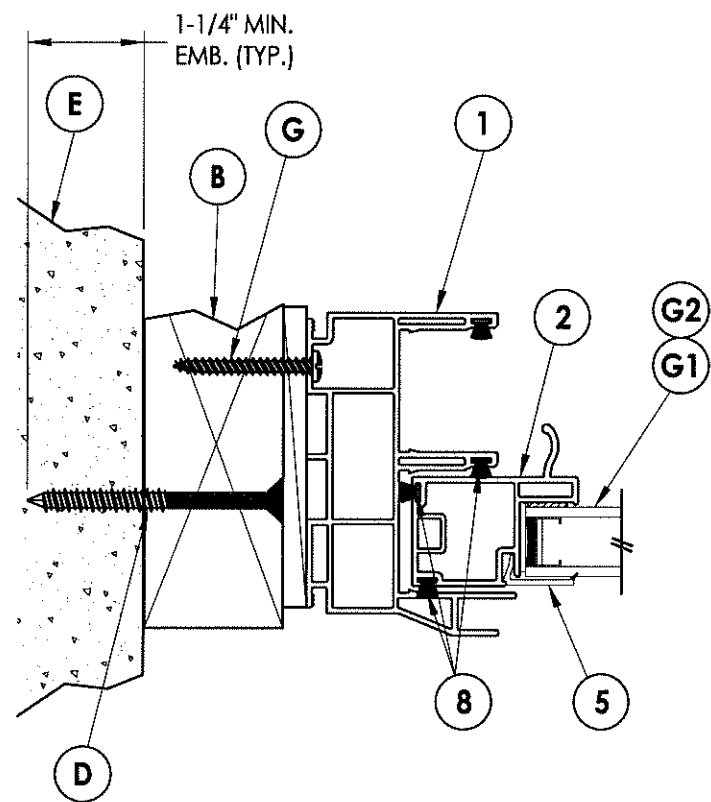
DATE: 10/4/13
 SCALE: N.T.S.
 DWG. BY: JK
 CHK. BY: LFS
 DRAWING NO.: FL-16092.18
 SHEET 1 OF 6



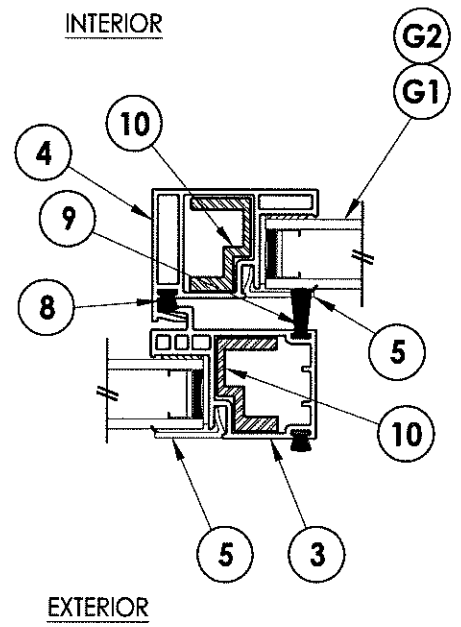
1-1/4" MIN.
EMB. (TYP.)



4 HORIZONTAL CROSS SECTION
2 Shown w/ 1X buck

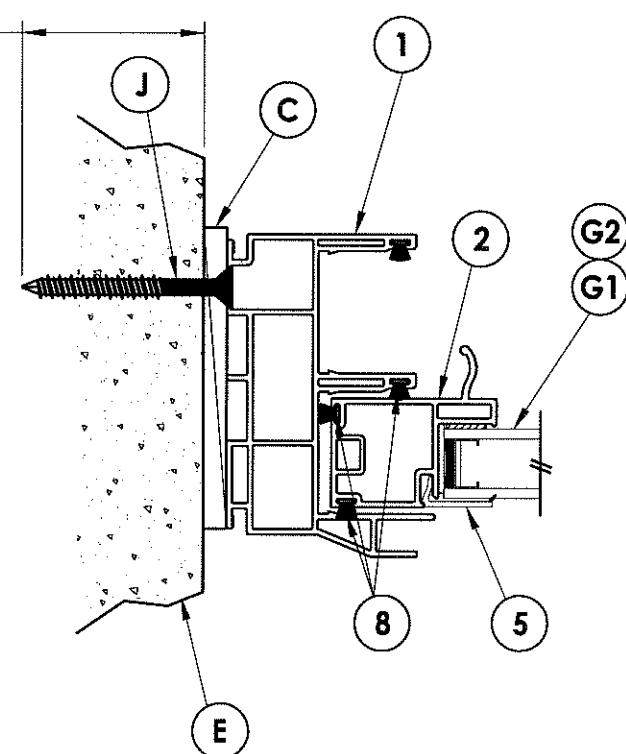


1 HORIZONTAL CROSS SECTION
2 Shown w/ 2X buck



2 HORIZONTAL CROSS SECTION

1-1/4" MIN.
EMB. (TYP.)



3 HORIZONTAL CROSS SECTION
2 Shown direct to masonry

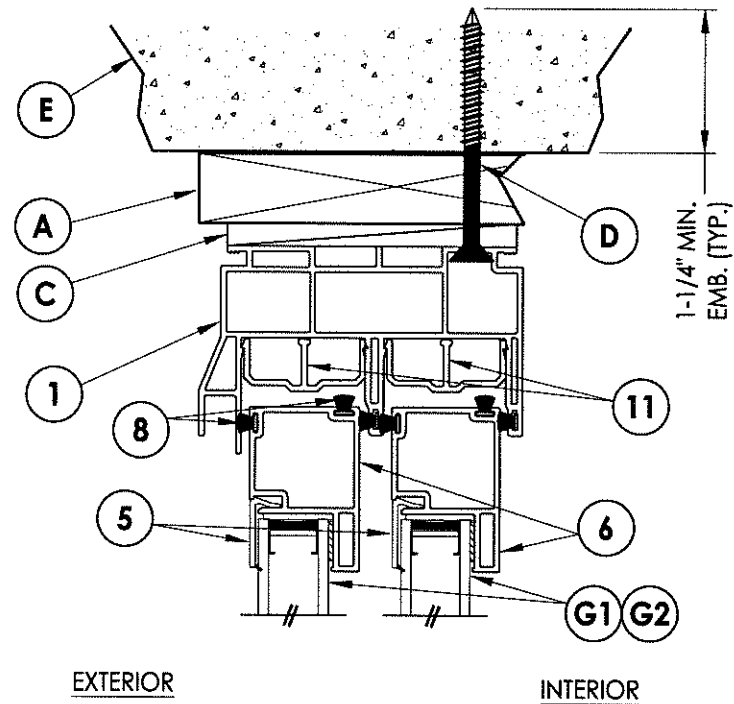
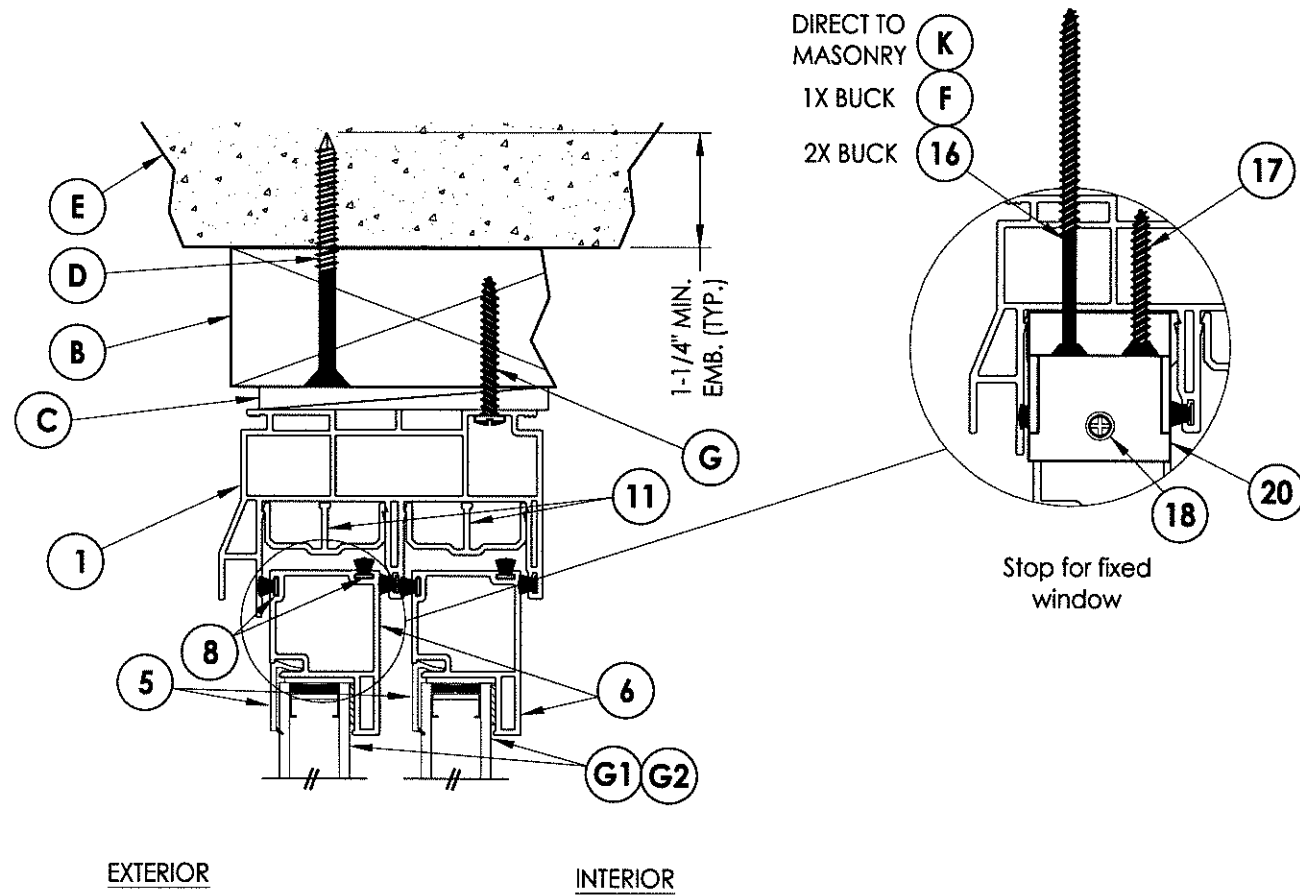
Documents Prepared By:
RW BUILDING CONSULTANTS, INC.
P.O. Box 230 Vairico FL 33595
Phone No.: 813.659.9197
Florida Board of Professional Engineers
Certificate Of Authorization No. 9813
Lyndon F. Schmidt
Lyndon F. Schmidt, P.E. No. 43409

PRODUCT: 5400/5400S SERIES

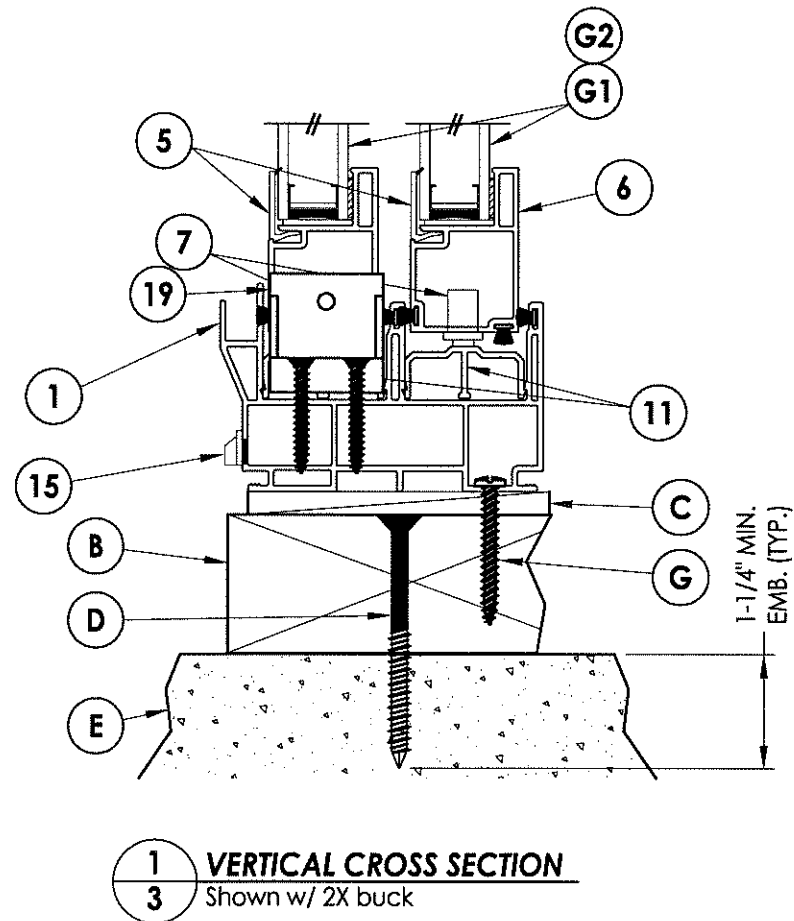
PART OR ASSEMBLY: HORIZONTAL CROSS SECTIONS

NO.	DATE	BY

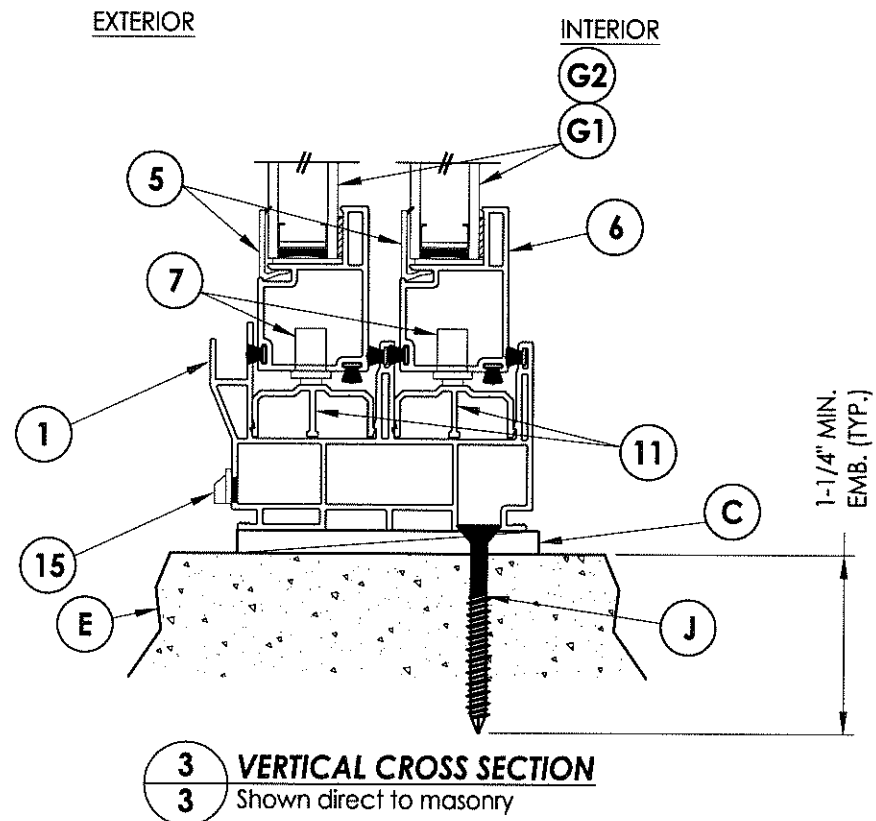
DATE: 10/4/13
SCALE: N.T.S.
DWG. BY: JK
CHK. BY: LFS
DRAWING NO.: FL-16092.18
SHEET 2 of 6



2 VERTICAL CROSS SECTION
3 Shown w/ 1X buck



1 VERTICAL CROSS SECTION
3 Shown w/ 2X buck



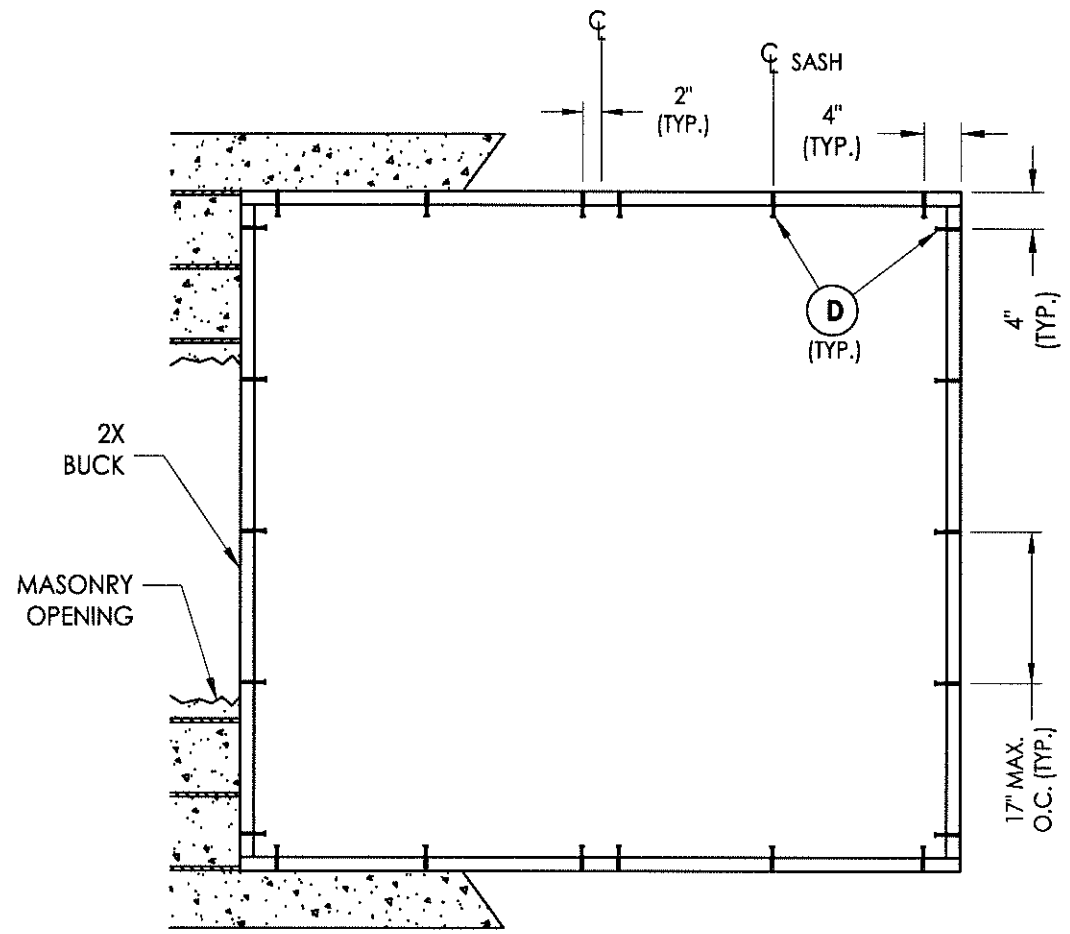
3 VERTICAL CROSS SECTION
3 Shown direct to masonry

Documents Prepared By:
RW BUILDING CONSULTANTS, INC.
P.O. Box 230 Valrico FL, 33595
Phone No.: 813.659.9197
Florida Board of Professional Engineers
Certificate Of Authorization No. 9813
R.W. Schmidt
Lyndon F. Schmidt, P.E. No. 43409

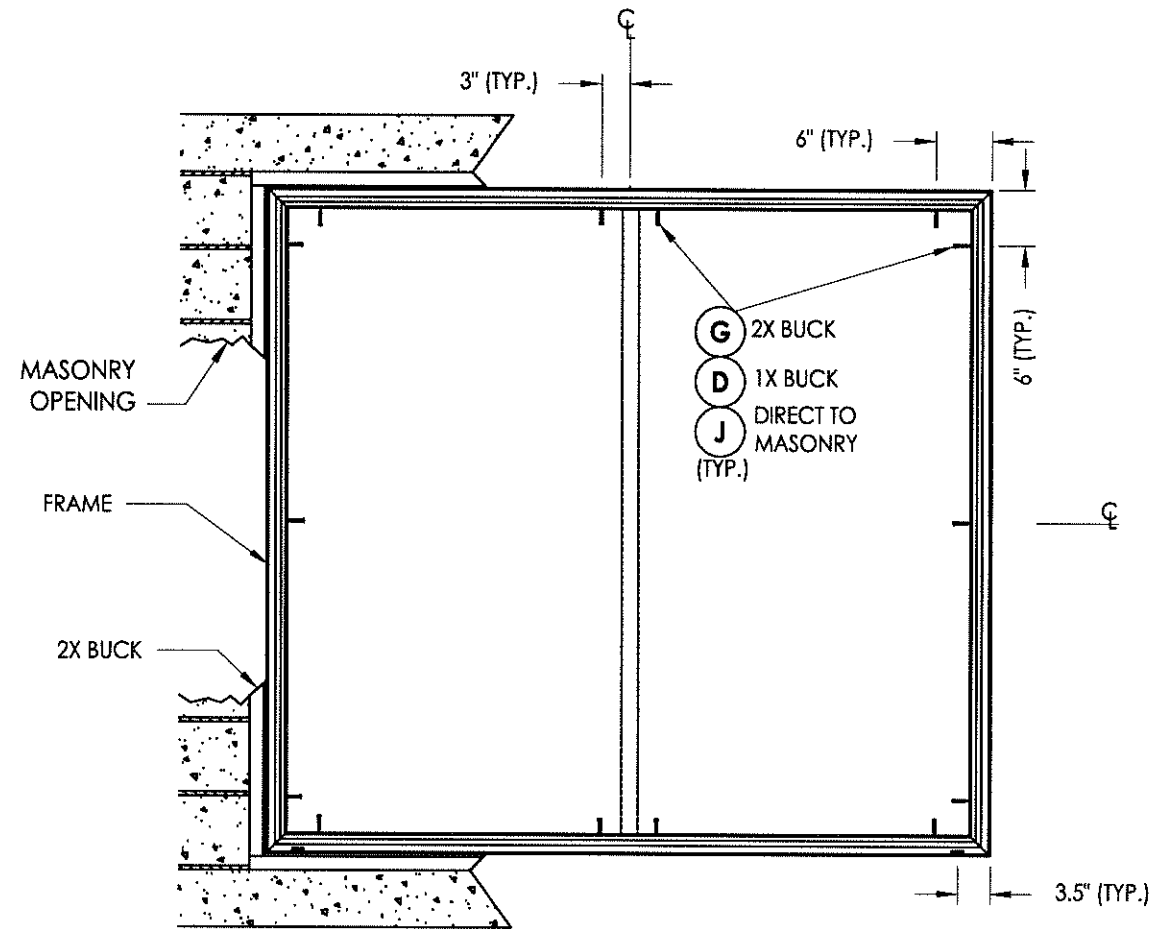
PRODUCT: 5400/5400S SERIES
PART OR ASSEMBLY: VERTICAL CROSS SECTIONS

NO.	DATE	BY

DATE: 10/4/13
SCALE: N.T.S.
DWG. BY: JK
CHK. BY: LFS
DRAWING NO.: FL-16092.18
SHEET 3 OF 6



BUCK ANCHORING



FRAME ANCHORING

CONCRETE ANCHOR NOTES:

1. Substitution of equal concrete anchors from a different supplier may have different edge distance and center distance requirements.
2. Concrete anchor locations at the corners may be adjusted to maintain the min. edge distance to mortar joints. If concrete anchor locations noted as "MAX. ON CENTER" must be adjusted to maintain the min. edge distance to mortar joints, additional concrete anchors may be required to ensure the "MAX. ON CENTER" dimensions are not exceeded.
3. Concrete anchor table:

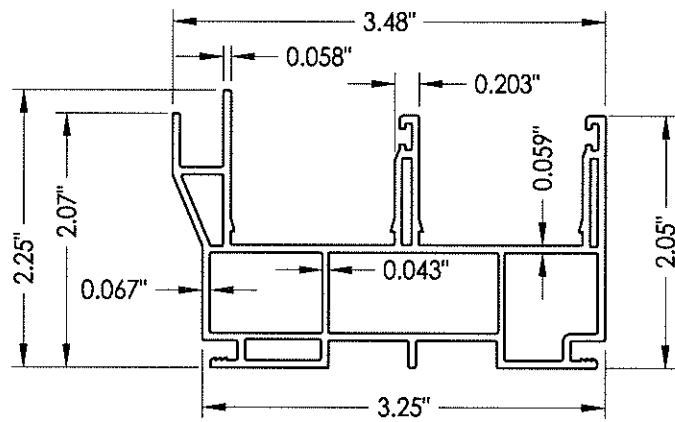
ANCHOR TYPE	ANCHOR SIZE	MIN. EMBEDMENT	MIN. CLEARANCE TO MASONRY EDGE	MIN. CLEARANCE TO ADJACENT ANCHOR
ITW	1/4"	1-1/4"	2-1/2"	3"
ELCO	1/4"	1-1/4"	1"	4"

Documents Prepared By:
RW BUILDING CONSULTANTS, INC.
 P.O. Box 230 Valrico FL 33595
 Phone No.: 813.659.9197
 Florida Board of Professional Engineers
 Certificate Of Authorization No. 9813
 Lyndon F. Schmidt, P.E. No. 43409

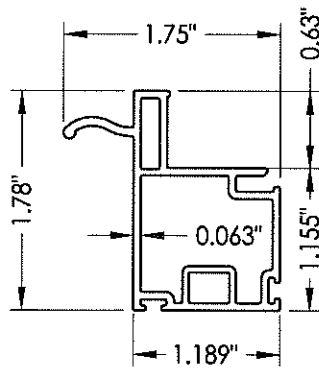
PRODUCT: 5400/5400S SERIES
 PART OR ASSEMBLY: BUCK AND FRAME ANCHORING

NO.	DATE	BY	REVISIONS

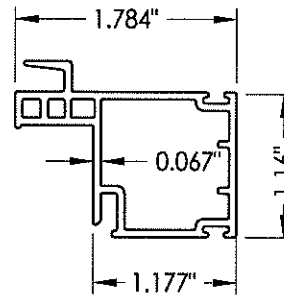
DATE: 10/4/13
 SCALE: N.T.S.
 DWG. BY: JK
 CHK. BY: LFS
 DRAWING NO.: FL-16092.18
 SHEET 4 OF 6



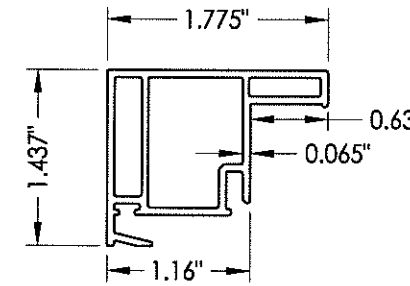
1 FRAME



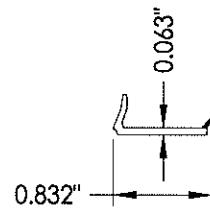
2 SLIDER PULL STILE



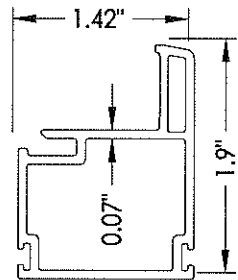
3 LOCK STILE



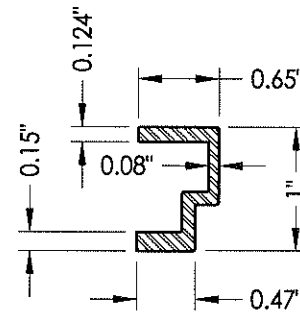
4 KEEPER STILE



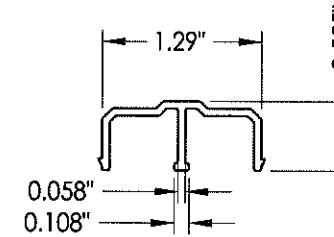
5 GLAZING BEAD



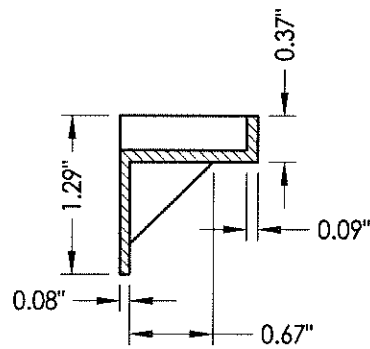
6 SLIDER COMMON RAIL



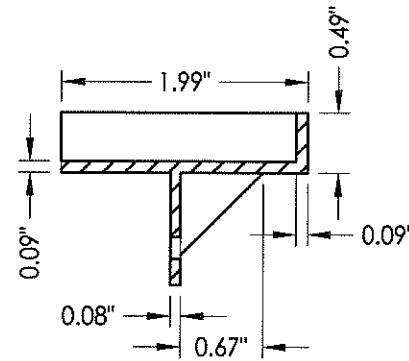
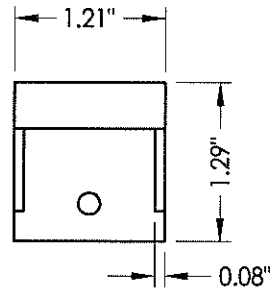
10 REINFORCEMENT



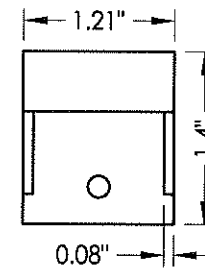
11 SILL TRACK



19 FLANKER STOP



20 UPPER FLANKER STOP



Documents Prepared By:
RW BUILDING CONSULTANTS, INC.
 P.O. Box 230 Valrico FL 33595
 Phone No.: 813.659.9197
 Florida Board of Professional Engineers
 Certificate of Authorization No. 9813
 Lyndon F. Schmidt, P.E. No. 43409

PRODUCT: 5400/5400S SERIES

PART OR ASSEMBLY: COMPONENTS

NO.	DATE	REVISIONS	BY

DATE: 10/4/13

SCALE: N.T.S.

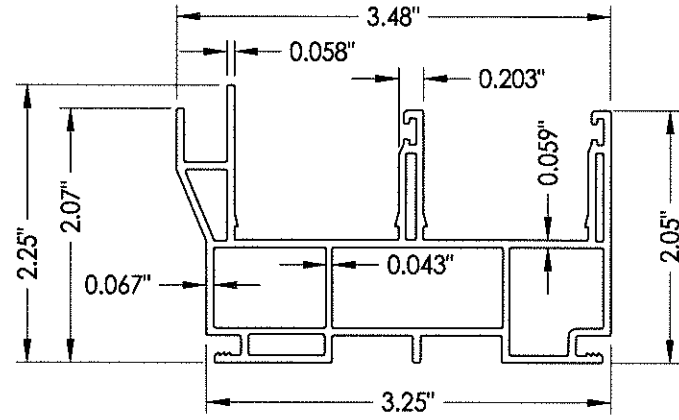
DWG. BY: JK

CHK. BY: LFS

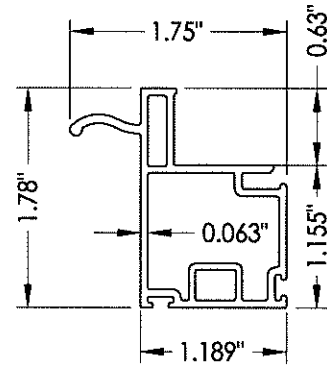
DRAWING NO.:

FL-16092.18

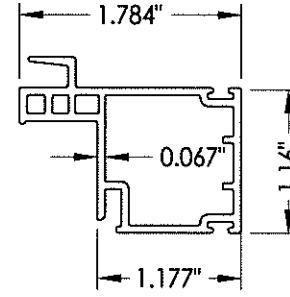
SHEET 5 OF 6



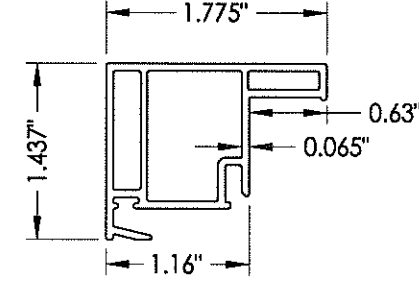
1 FRAME



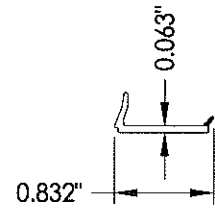
2 SLIDER PULL STILE



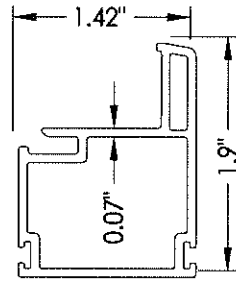
3 LOCK STILE



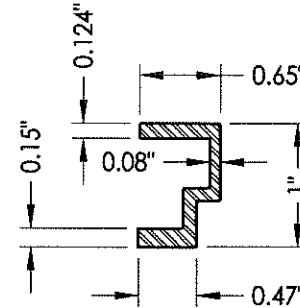
4 KEEPER STILE



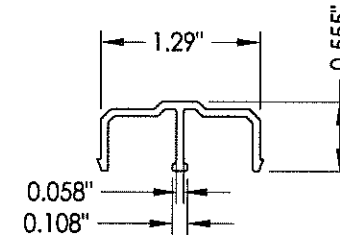
5 GLAZING BEAD



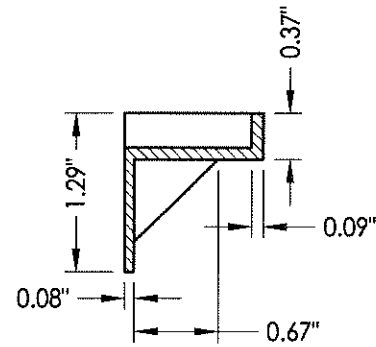
6 SLIDER COMMON RAIL



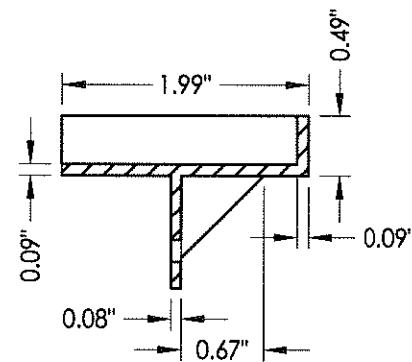
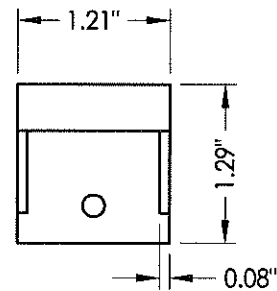
10 REINFORCEMENT



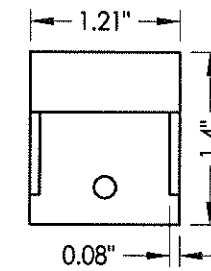
11 SILL TRACK



19 LOWER FLANKER STOP



20 UPPER FLANKER STOP



Documents Prepared By:

RW BUILDING CONSULTANTS, INC.
 P.O. Box 230 Valrico FL, 33595
 Phone No.: 813.659.9197
 Florida Board of Professional Engineers
 Certificate Of Authorization No. 9813
 11.13.13
 Lyndon F. Schmidt, P.E. No. 43409

PRODUCT: 5400/5400S SERIES

PART OR ASSEMBLY: COMPONENTS

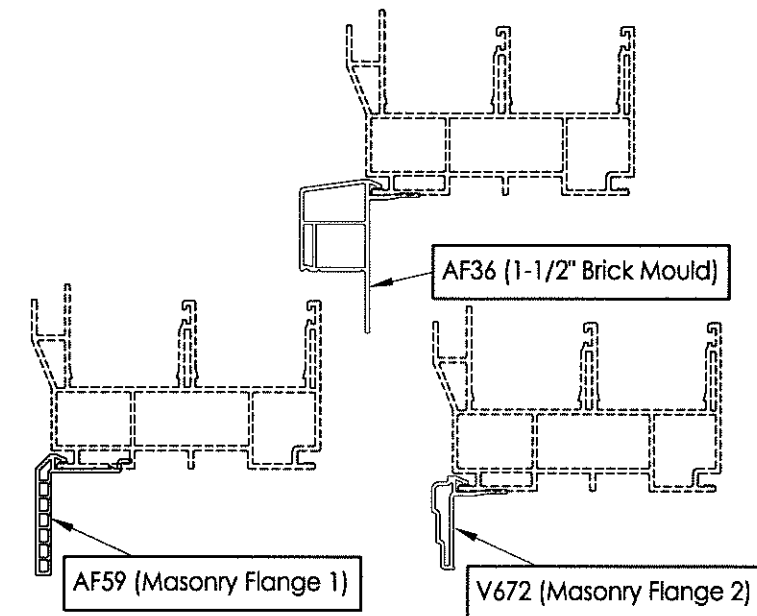
NO.	DATE	BY

DATE: 10/4/13
 SCALE: N.T.S.
 DWG. BY: JK
 CHK. BY: LFS
 DRAWING NO.: FL-16092.18
 SHEET 5 OF 6

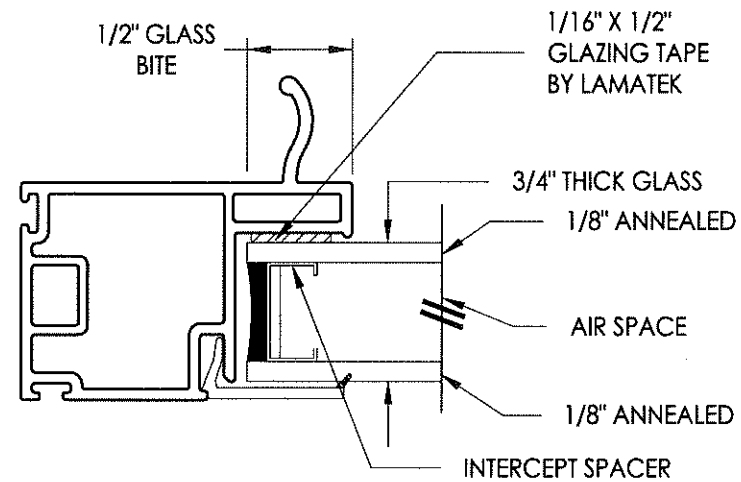
BILL OF MATERIALS

ITEM #	DESCRIPTION	PART#	MATERIAL
A	1X BUCK SG >= 0.55	-	WOOD
B	2X BUCK SG >= 0.55	-	WOOD
C	1/4" MAX. SHIM SPACE	-	-
D	1/4" X 2-3/4" PFH ELCO OR ITW CONCRETE SCREW	-	STEEL
E	MASONRY - 3,192 PSI MIN. CONCRETE CONFORMING TO ACI 301 OR HOLLOW BLOCK CONFORMING TO ASTM C90	-	CONCRETE
F	1/4" X 3-3/4" PFH ELCO OR ITW CONCRETE SCREW	-	STEEL
G	#10 X 1-3/4" PPH WOOD SCREW	-	STEEL
J	1/4" X 2-1/4" PFH ELCO OR ITW CONCRETE SCREW	-	STEEL
K	1/4" X 3-1/4" PFH ELCO OR ITW CONCRETE SCREW	-	STEEL
1	FRAME*	DS5401A	PVC
2	SLIDER PULL STILE*	SE4647	PVC
3	LOCK STILE*	SE4646	PVC
4	KEEPER STILE*	SE4644	PVC
5	GLAZING BEAD*	22841	PVC
6	SLIDER COMMON RAIL*	SE4645	PVC
7	BALL BEARING ROLLER	-	-
8	WEATHERSTRIP (0.230")	-	-
9	WEATHERSTRIP (0.380")	-	-
10	REINFORCEMENT	-	ALUM
11	SILL TRACK*	V777	PVC
15	WEEPHOLE CAP*	WEEP-1288	PVC
16	#8 X 3" PFH SMS	-	STEEL
17	#8 X 1-1/4" PFH SMS	-	ALUM
18	#8 X 3/4" PFH WOOD SCREW	-	STEEL
19	LOWER FLANKER STOP	2991C	NYLON
20	UPPER FLANKER STOP	2991B	NYLON

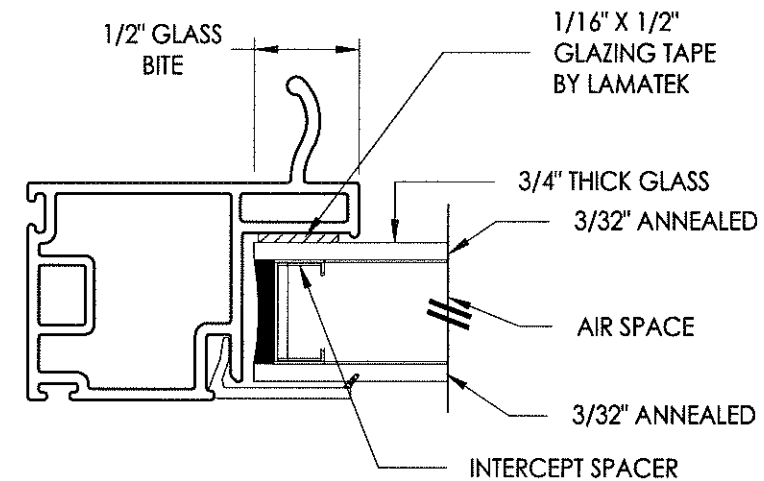
* THE APPROVED WHITE RIGID PVC EXTERIOR EXTRUSIONS FOR WINDOWS ARE TO BE PRODUCED BY EXTRUDERS LICENSEES IN "AAMA CERTIFICATION PROGRAMS FOR RIGID PVC EXTRUSIONS".



OPTIONAL COSMETIC FLANGES



G1 GLAZING DETAIL



G2 GLAZING DETAIL

Documents Prepared By:

RW BUILDING CONSULTANTS, INC.
 P.O. Box 230 Valrico FL 33595
 Phone No.: 813.659.9197
 Florida Board of Professional Engineers
 Certificate of Authorization No. 9813
 Lyndon F. Schmidt, P.E. No. 43409

PRODUCT: 5400/5400S SERIES

PART OR ASSEMBLY: BILL OF MATERIALS & GLAZING DETAIL

NO.	DATE	BY	REVISIONS

DATE: 10/4/13

SCALE: N.T.S.

DWG. BY: JK

CHK. BY: LFS

DRAWING NO.: FL-16092.18

SHEET 6 OF 6