

WINCORE™

WINDOWS & DOORS

250 Staunton Turnpike, Parkersburg, WV 26104

7700/9900 Series Vinyl Horizontal Sliding Window "NON-IMPACT"

GENERAL NOTES

1. This product has been evaluated and is in compliance with the 2010 Florida Building Code (FBC) structural requirements excluding the "High Velocity Hurricane Zone" (HVHZ).
2. Product anchors shall be as listed and spaced as shown on details. Anchor embedment to base material shall be beyond wall dressing or stucco.
3. When used in areas requiring wind borne debris protection this product is required to be protected with an impact resistant covering that complies with Section 1609.1.2 of the FBC.
4. For 2x stud framing construction, anchoring of these units shall be the same as that shown for 2x buck masonry construction.
5. Site conditions that deviate from the details of this drawing require further engineering analysis by a licensed engineer or registered architect.

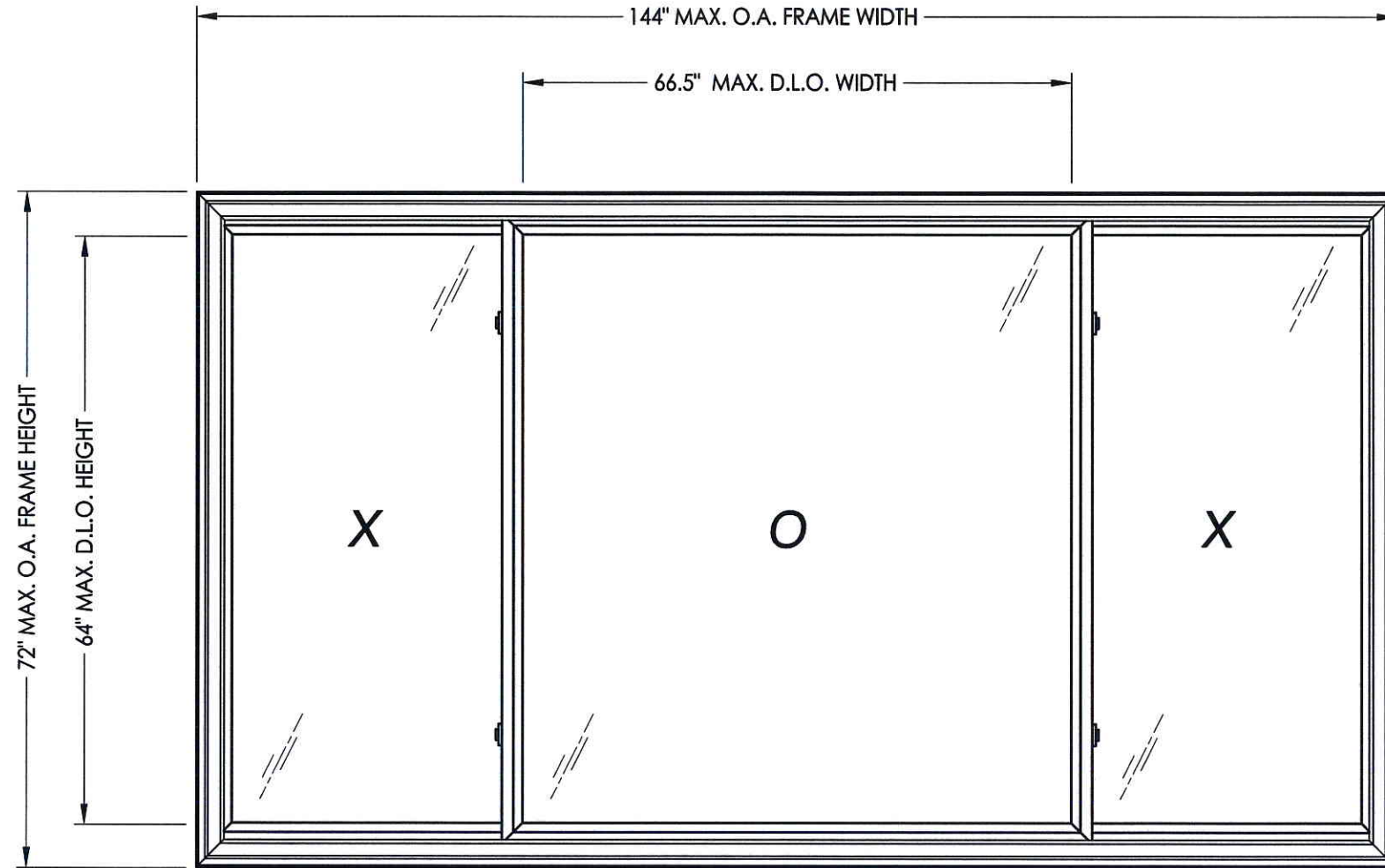


TABLE OF CONTENTS	
SHEET#	DESCRIPTION
1	Typical elevations, design pressures and general notes
2	Horizontal cross sections
3	Vertical cross sections
4	Buck and frame anchoring (Max. Frame Width: 144")
5	Buck and frame anchoring (Max. Frame Width: 96")
6	Bill of materials, components & glazing details

MAX. FRAME DIMENSION	MAX. D.L.O. DIMENSION	GLASS TYPE	DESIGN PRESSURE (PSF)	
			POSITIVE	NEGATIVE
96.0" X 72.0"	42.5" X 64.0"	G1	+25.0	-25.0
120.0" X 63.0"	54.5" X 55.0"	G1	+30.0	-30.0
144.0" X 48.0"	66.5" X 40.0"	G1	+35.0	-35.0
132.0" X 54.0"	60.5" X 46.0"	G1	+40.0	-40.0
96.0" X 48.0"	42.5" X 40.0"	G1	+45.0	-45.0

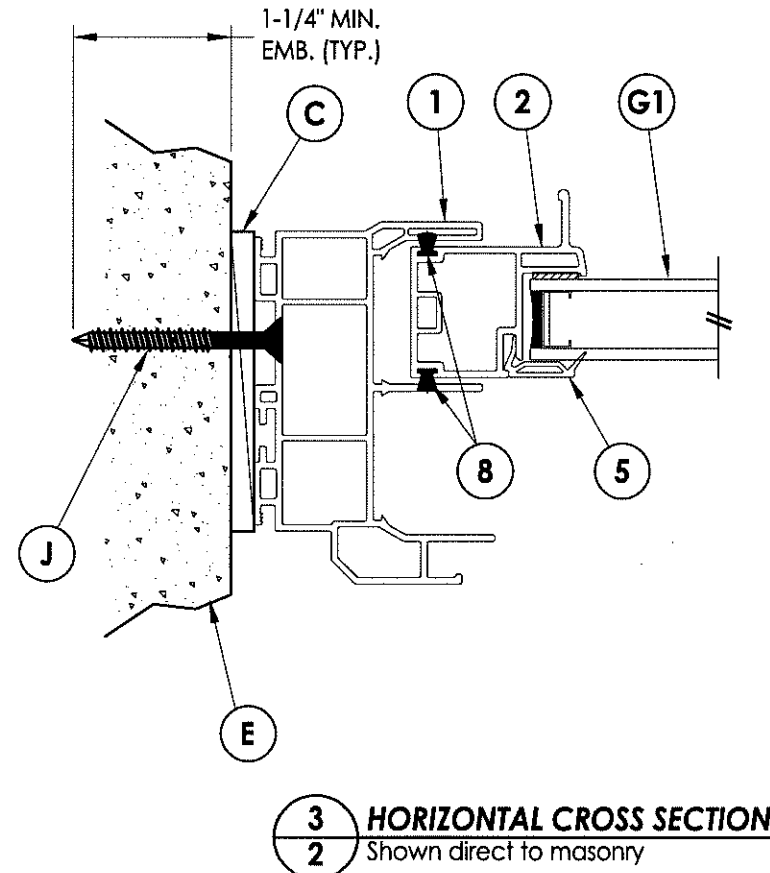
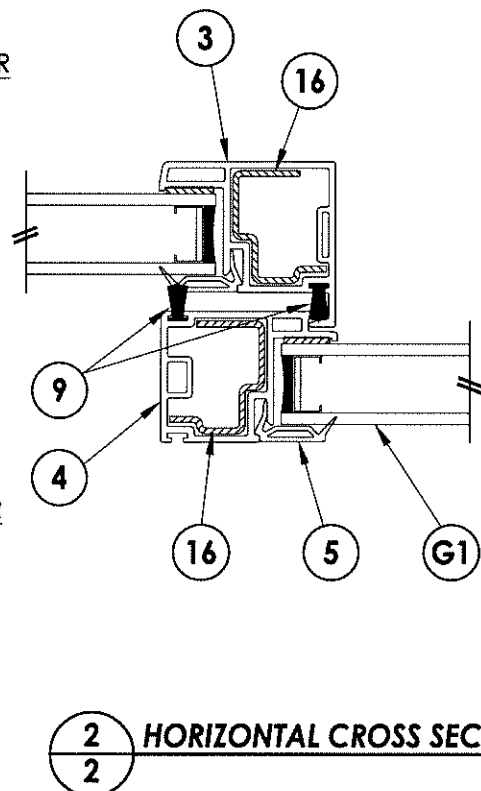
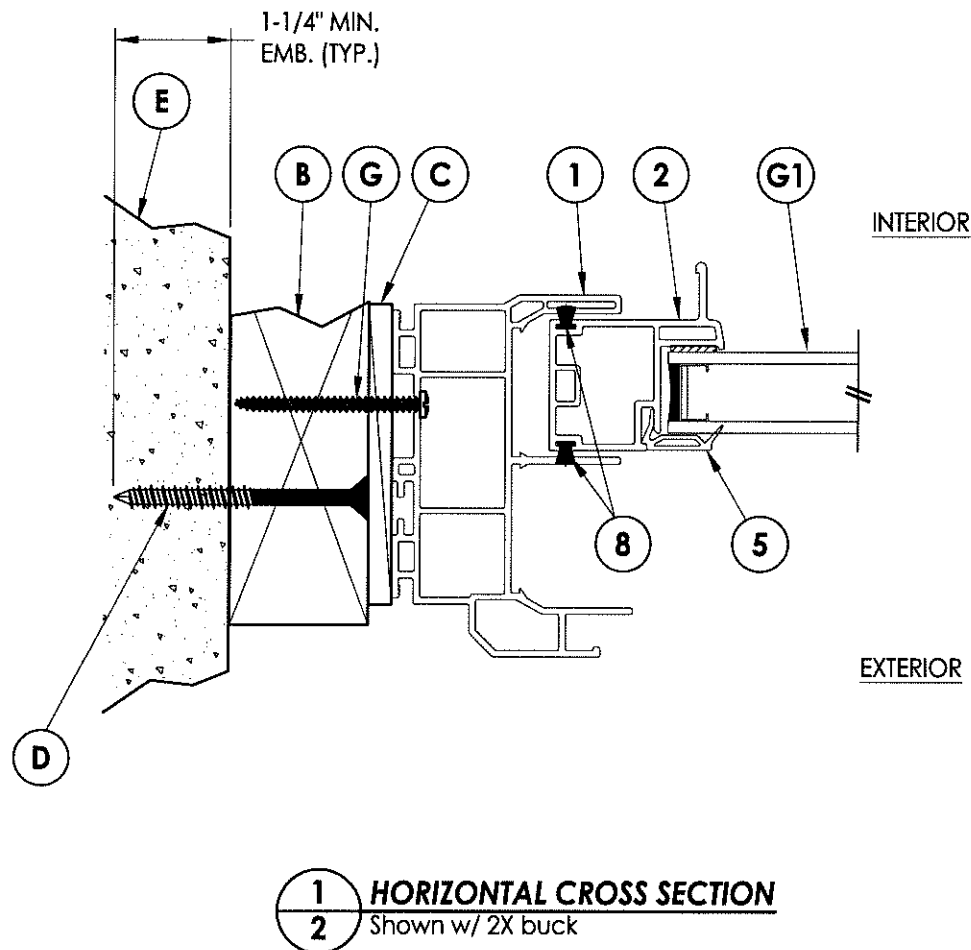
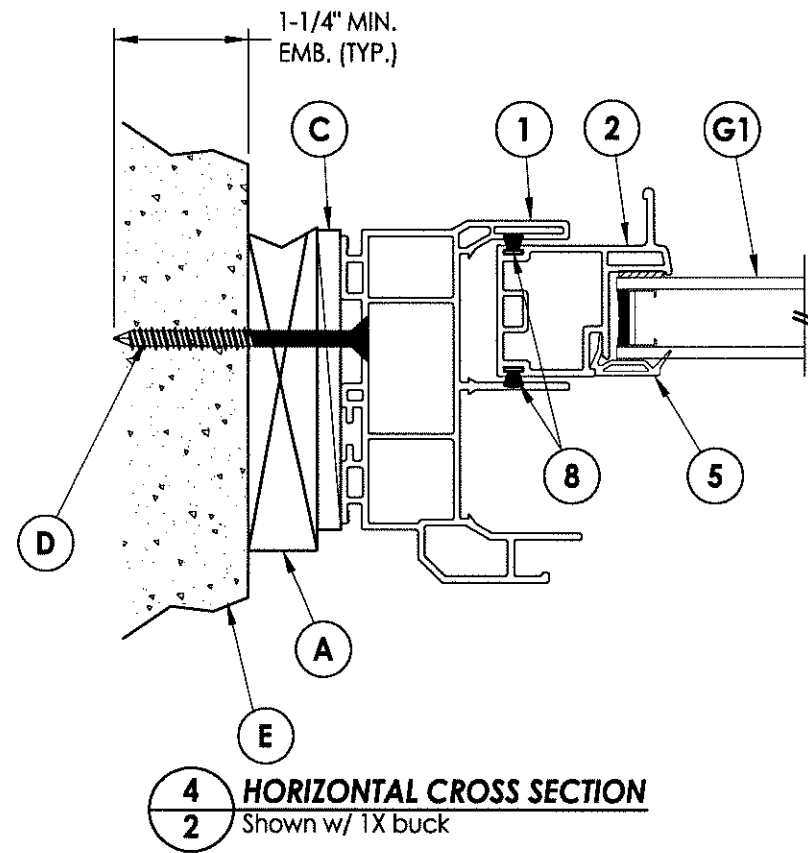
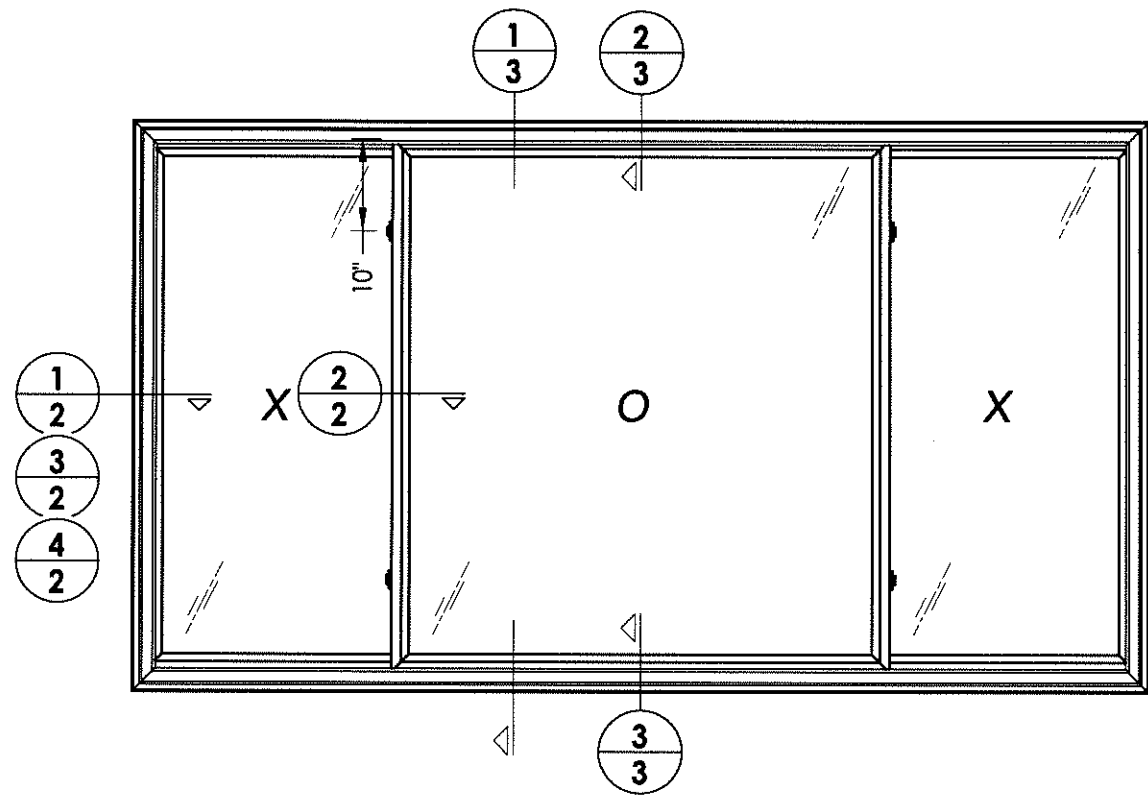
Note: Maximum frame heights and widths occur on separate units.

Documents Prepared By:
RW BUILDING CONSULTANTS, INC.
 P.O. Box 230 Valrico FL 33595
 Phone No.: 813.659.9197
 Florida Board of Professional Engineers
 Certificate of Authorization No. 9813
LF 5.2.13
 Lyndon F. Schmidt, P.E. No. 43409

PRODUCT: 7700/9900 SERIES
 PART OR ASSEMBLY: TYPICAL ELEVATION, DESIGN PRESSURES & GENERAL NOTES

NO.	DATE	BY	REVISIONS

DATE: 4/25/13
 SCALE: N.T.S.
 DWG. BY: JK
 CHK. BY: LFS
 DRAWING NO.: FL-16092.10
 SHEET 1 OF 6



1 HORIZONTAL CROSS SECTION
2 Shown w/ 2X buck

2 HORIZONTAL CROSS SECTION
2

3 HORIZONTAL CROSS SECTION
2 Shown direct to masonry

Documents Prepared By:

RW BUILDING CONSULTANTS, INC.
P.O. Box 230 Valrico FL 33595
Phone No.: 813.659.9197
Florida Board of Professional Engineers
Certificate Of Authorization No. 9813
LF 5213
Lyndon F. Schmidt, P.E. No. 43409

PRODUCT: 7700/9900 SERIES

PART OR ASSEMBLY:
HORIZONTAL
CROSS SECTIONS

NO.	DATE	REVISIONS	BY

DATE: 4/25/13

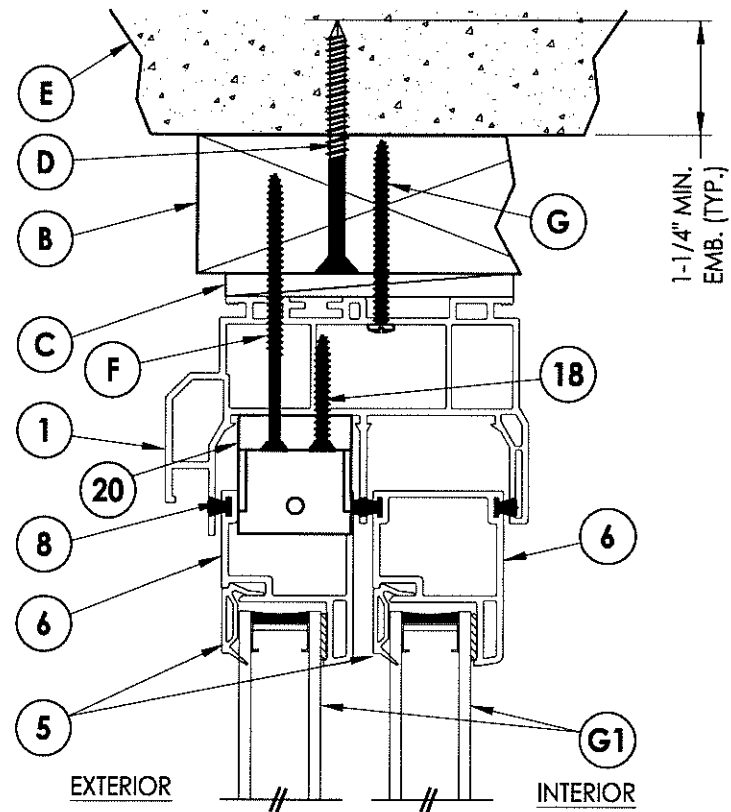
SCALE: N.T.S.

DWG. BY: JK

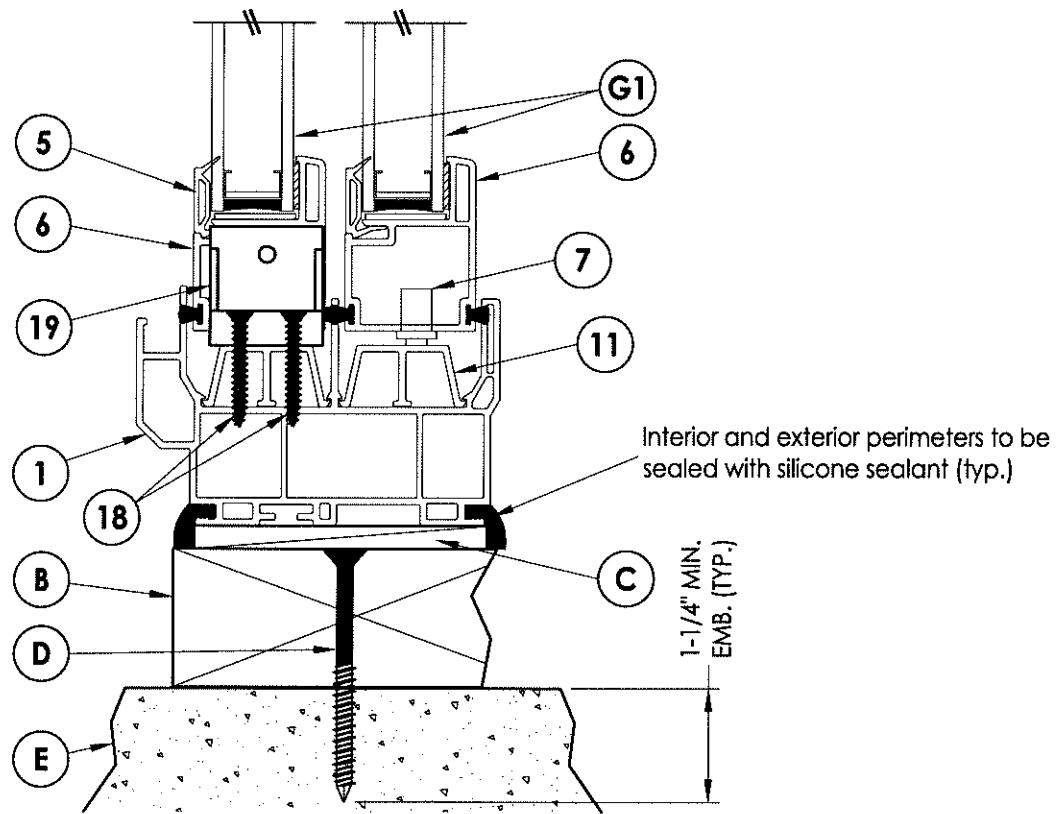
CHK. BY: LFS

DRAWING NO.: FL-16092.10

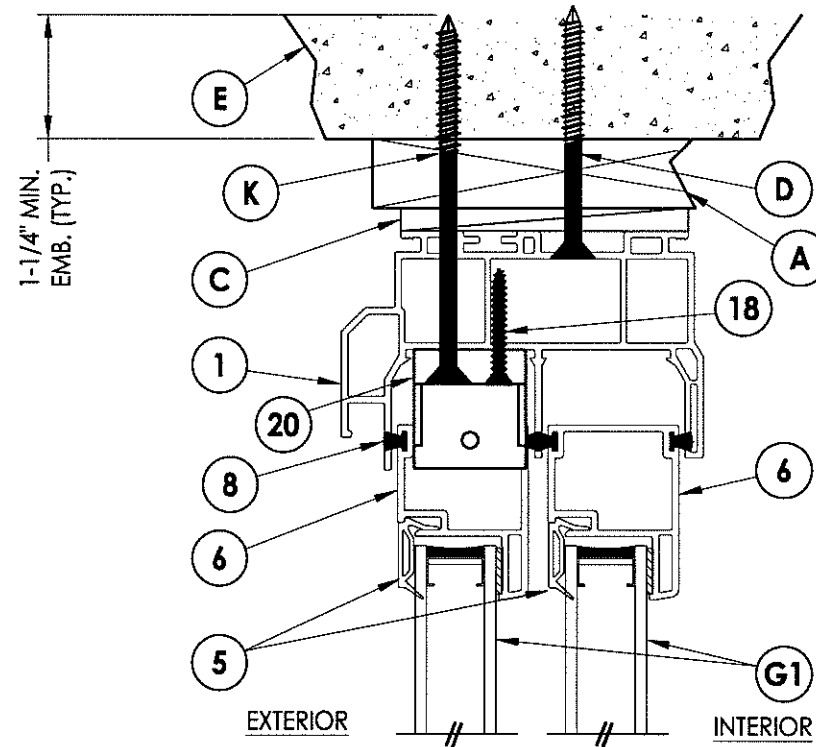
SHEET 2 OF 6



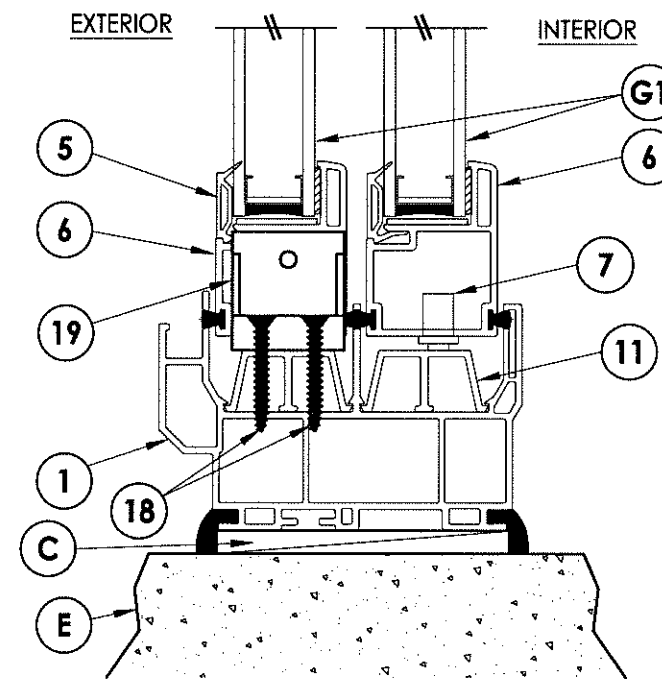
1 VERTICAL CROSS SECTION
3 Shown w/ 2X buck



2 VERTICAL CROSS SECTION
3 Shown w/ 1X buck



3 VERTICAL CROSS SECTION
3 Shown direct to masonry



3 VERTICAL CROSS SECTION
3 Shown direct to masonry

Documents Prepared By:

R.W. BUILDING CONSULTANTS, INC.
 P.O. Box 230 Vairico FL 33595
 Phone No.: 813.659.9197
 Florida Board of Professional Engineers
 Certificate Of Authorization No. 9813

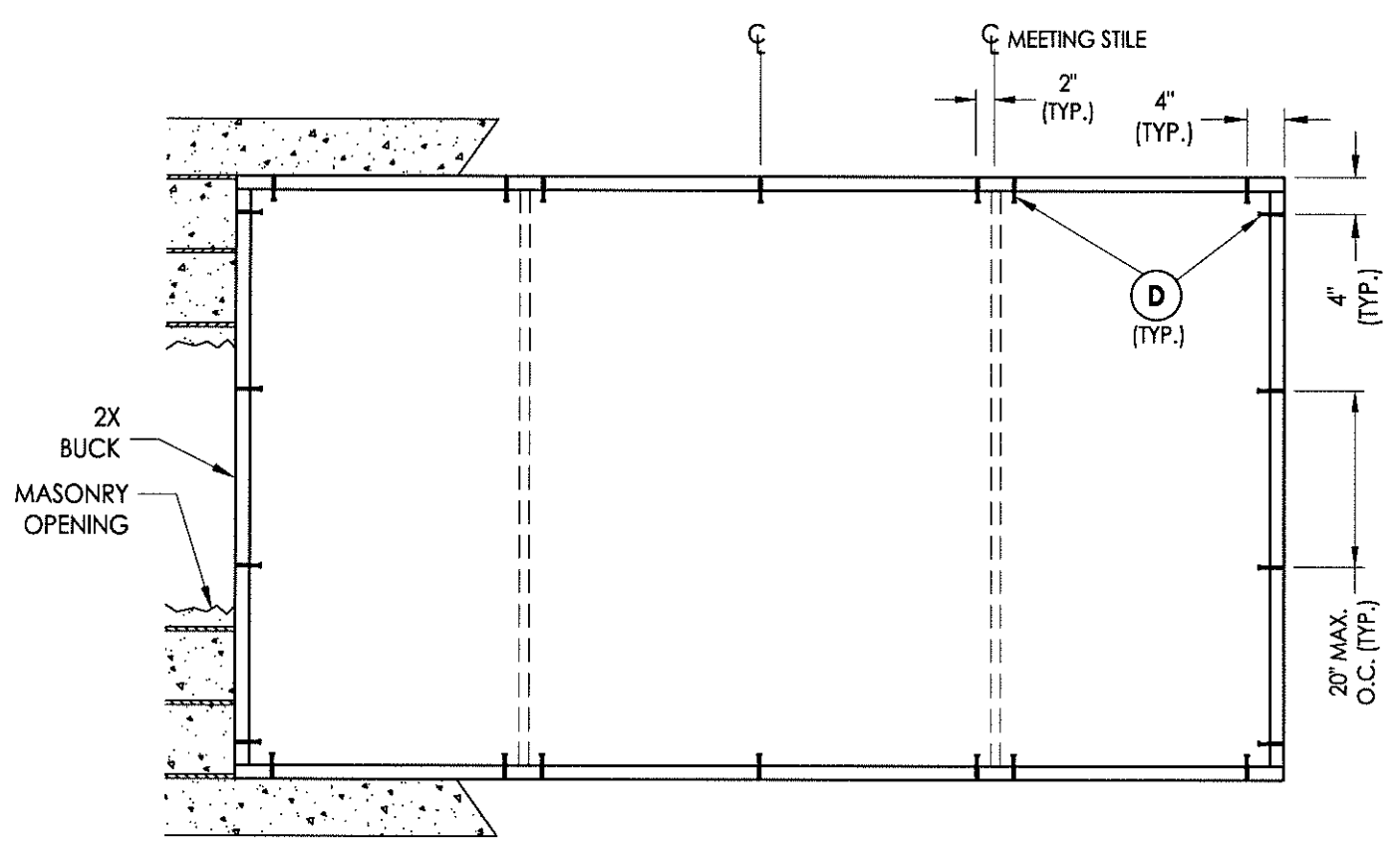
LFS 5.2.3

Lyndon F. Schmidt, P.E. No. 43409

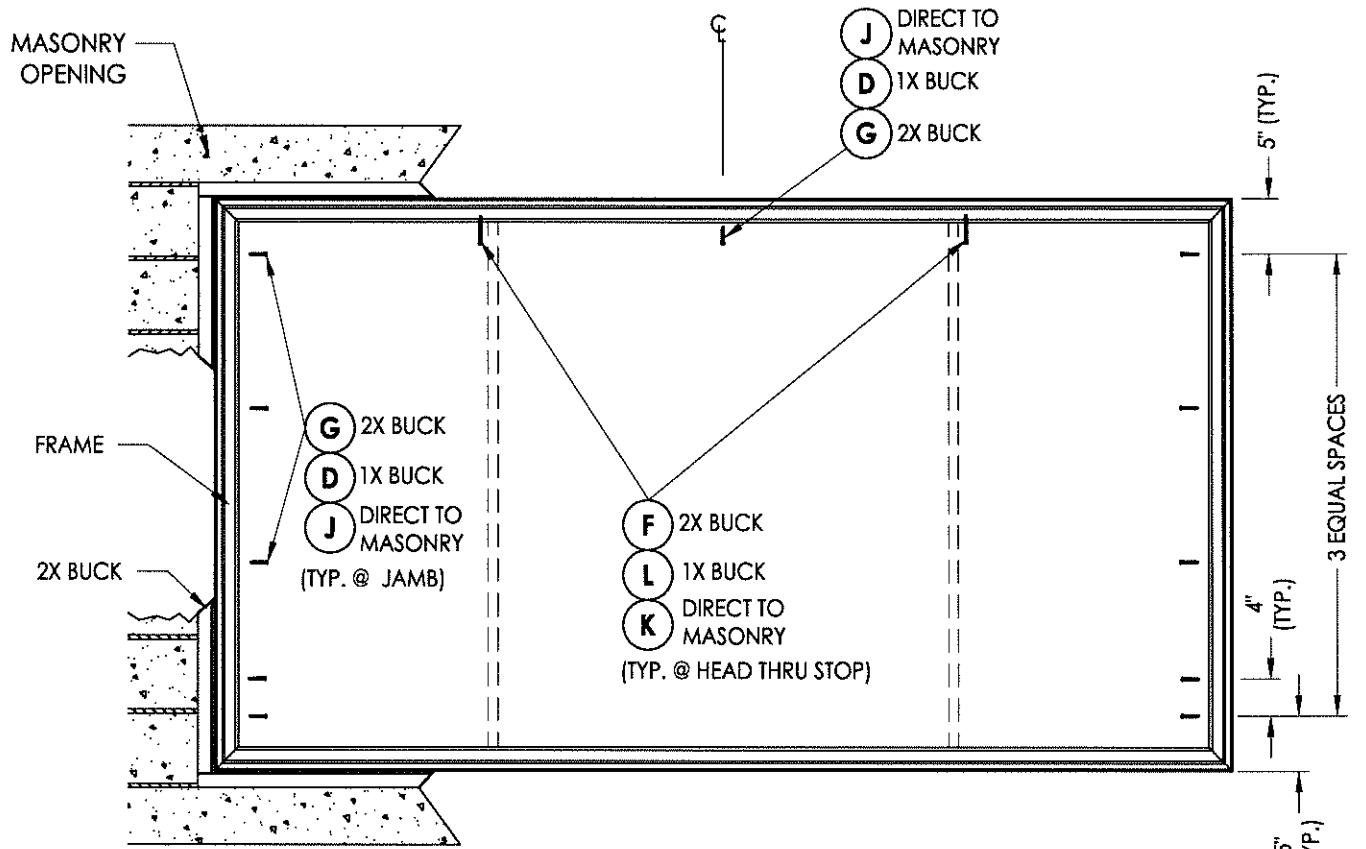
PRODUCT:	7700/9900 SERIES
PART OR ASSEMBLY:	VERTICAL CROSS SECTIONS

NO.	DATE	BY	REVISIONS

DATE:	4/25/13
SCALE:	N.T.S.
DWG. BY:	JK
CHK. BY:	LFS
DRAWING NO.:	FL-16092.10
SHEET	3 OF 6



BUCK ANCHORING



FRAME ANCHORING

MAX. FRAME WIDTH: 144"

CONCRETE ANCHOR NOTES:

1. Substitution of equal concrete anchors from a different supplier may have different edge distance and center distance requirements.
2. Concrete anchor locations at the corners may be adjusted to maintain the min. edge distance to mortar joints. If concrete anchor locations noted as "MAX. ON CENTER" must be adjusted to maintain the min. edge distance to mortar joints, additional concrete anchors may be required to ensure the "MAX. ON CENTER" dimensions are not exceeded.
3. Concrete anchor table:

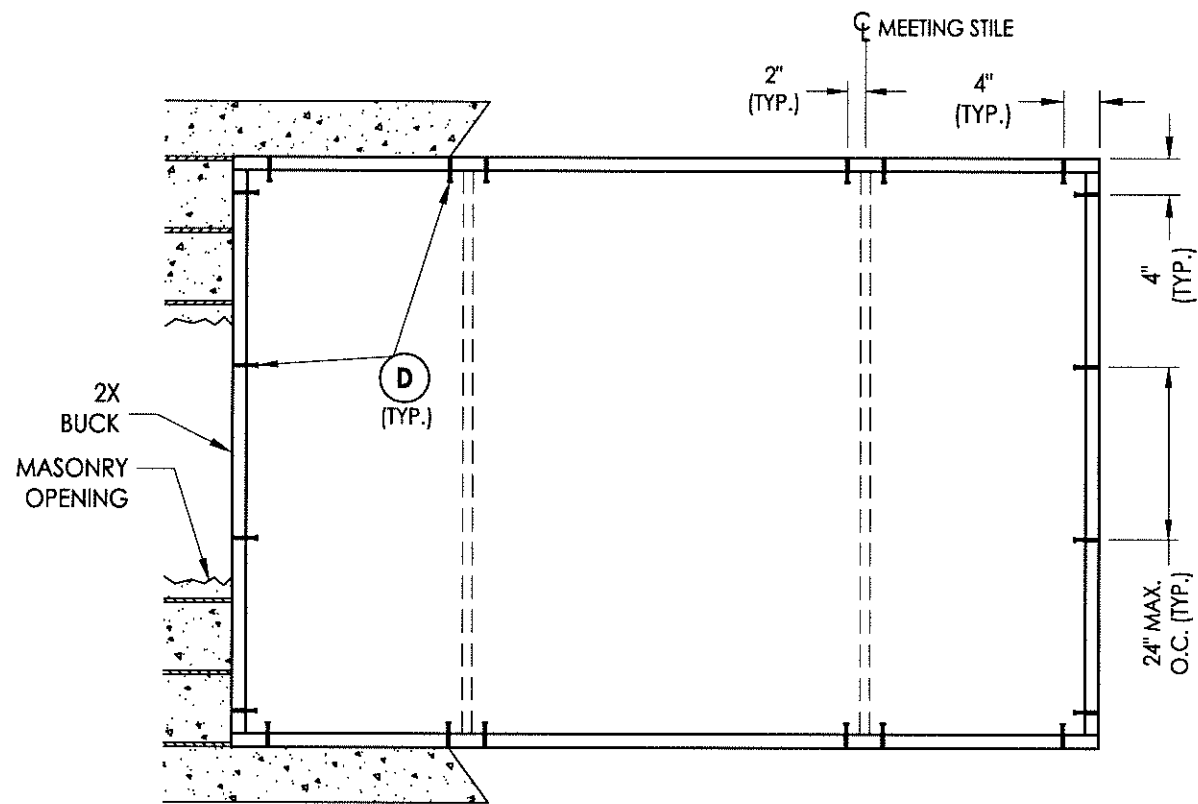
ANCHOR TYPE	ANCHOR SIZE	MIN. EMBEDMENT	MIN. CLEARANCE TO MASONRY EDGE	MIN. CLEARANCE TO ADJACENT ANCHOR
ITW	1/4"	1-1/4"	2-1/2"	3"
ELCO	1/4"	1-1/4"	1"	4"

Documents Prepared By:
R.W. BUILDING CONSULTANTS, INC.
 P.O. Box 230 Valrico FL, 33595
 Phone No.: 813.659.9197
 Florida Board of Professional Engineers
 Certificate Of Authorization No. 9813
 Lyndon F. Schmidt, P.E. No. 43409

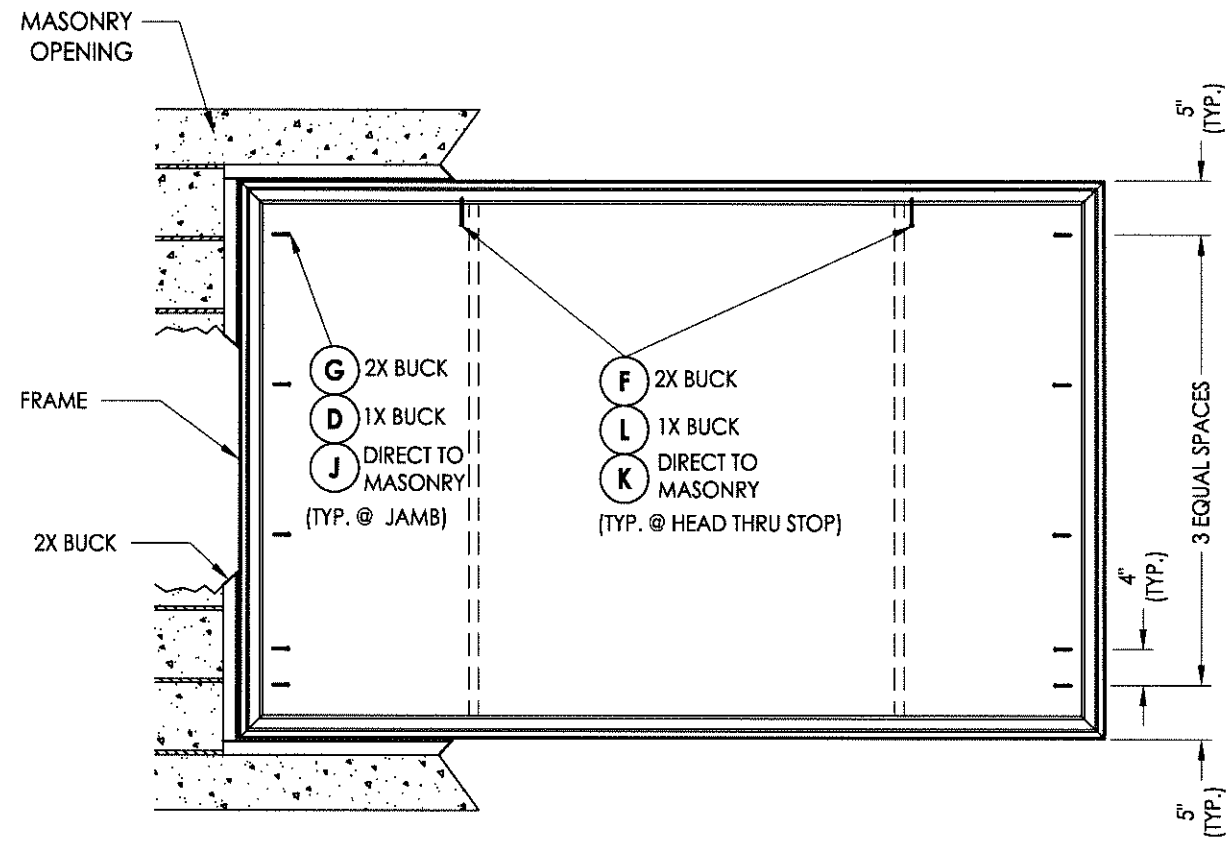
PRODUCT: 7700/9900 SERIES
 PART OR ASSEMBLY: BUCK AND FRAME ANCHORING (MAX FRAME WIDTH: 144")

NO.	DATE	BY	REVISIONS

DATE: 4/25/13
 SCALE: N.T.S.
 DWG. BY: JK
 CHK. BY: LFS
 DRAWING NO.: FL-16092.10
 SHEET 4 OF 6



BUCK ANCHORING



FRAME ANCHORING

MAX. FRAME WIDTH: 96"

CONCRETE ANCHOR NOTES:

1. Substitution of equal concrete anchors from a different supplier may have different edge distance and center distance requirements.
2. Concrete anchor locations at the corners may be adjusted to maintain the min. edge distance to mortar joints. If concrete anchor locations noted as "MAX. ON CENTER" must be adjusted to maintain the min. edge distance to mortar joints, additional concrete anchors may be required to ensure the "MAX. ON CENTER" dimensions are not exceeded.
3. Concrete anchor table:

ANCHOR TYPE	ANCHOR SIZE	MIN. EMBEDMENT	MIN. CLEARANCE TO MASONRY EDGE	MIN. CLEARANCE TO ADJACENT ANCHOR
ITW	1/4"	1-1/4"	2-1/2"	3"
ELCO	1/4"	1-1/4"	1"	4"

Documents Prepared By:

RW BUILDING CONSULTANTS, INC.
 P.O. Box 230 Valrico FL 33595
 Phone No.: 813.659.9197
 Florida Board of Professional Engineers
 Certificate Of Authorization No. 9813
 5.2.13
 Lyndon F. Schmidt, P.E. No. 43409

PRODUCT: 7700/9900 SERIES

PART OR ASSEMBLY:
 BUCK AND FRAME ANCHORING
 (MAX FRAME WIDTH: 96")

NO.	DATE	BY	REVISIONS

DATE: 4/25/13

SCALE: N.T.S.

DWG. BY: JK

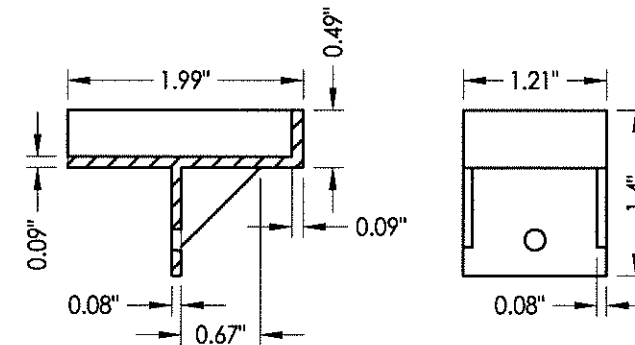
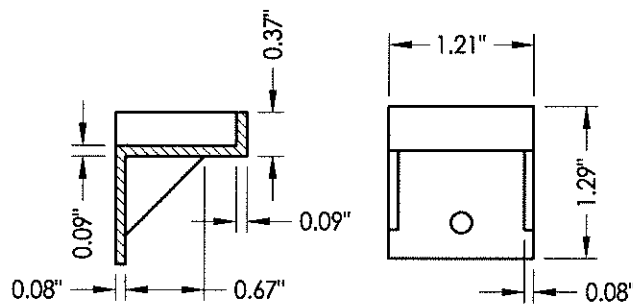
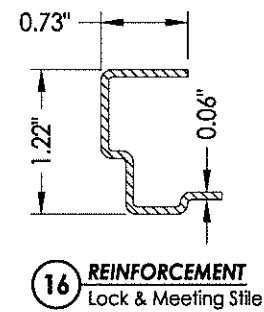
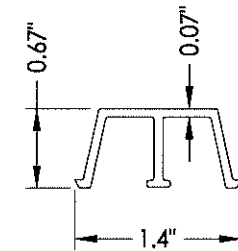
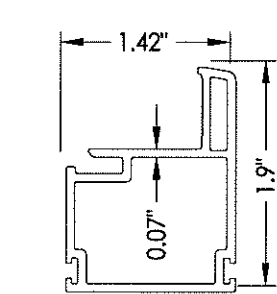
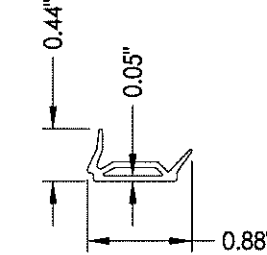
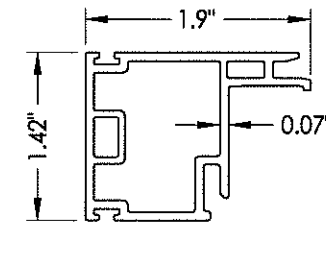
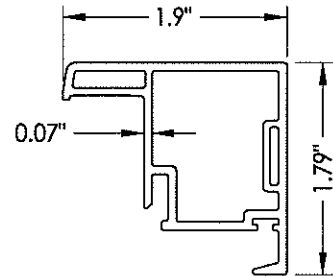
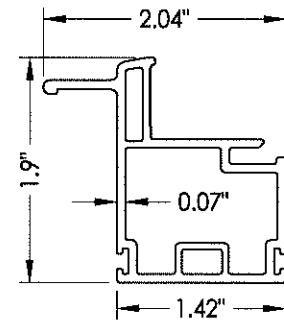
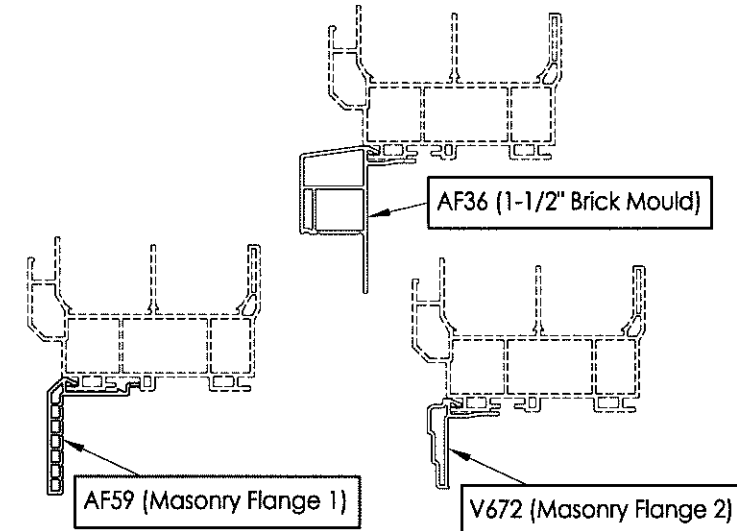
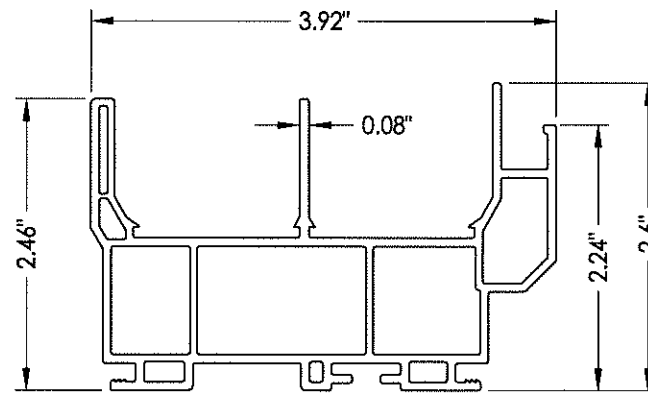
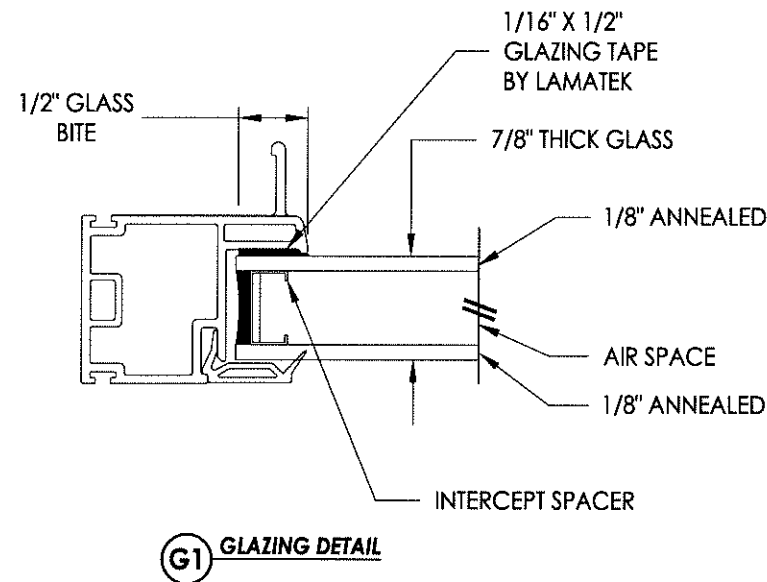
CHK. BY: LFS

DRAWING NO.:
 FL-16092.10

SHEET 5 OF 6

BILL OF MATERIALS		
ITEM #	DESCRIPTION	MATERIAL
A	1X BUCK SG >= 0.42	WOOD
B	2X BUCK SG >= 0.42	WOOD
C	1/4" MAX. SHIM SPACE	-
D	1/4" X 2-3/4" PFH ELCO OR ITW CONCRETE SCREW	STEEL
E	MASONRY - 3,192 PSI MIN. CONCRETE CONFORMING TO ACI 301 OR HOLLOW BLOCK CONFORMING TO ASTM C90	CONCRETE
F	#8 X 3" PFH WOOD SCREW	STEEL
G	#8 X 2" PPH WOOD SCREW	STEEL
J	1/4" X 2-1/4" PFH ELCO OR ITW CONCRETE SCREW	STEEL
K	1/4" X 4" PFH ELCO OR ITW CONCRETE SCREW	STEEL
L	1/4" X 3-1/4" PFH ELCO OR ITW CONCRETE SCREW	STEEL
1	FRAME*	PVC
2	SLIDER PULL STILE*	PVC
3	LOCK STILE*	PVC
4	KEEPER STILE*	PVC
5	GLAZING BEAD*	PVC
6	SLIDER COMMON RAIL*	PVC
7	METAL ROLLERS w/ PLASTIC HOUSING	-
8	WEATHERSTRIP (0.230")	-
9	WEATHERSTRIP (0.380")	-
11	SILL TRACK	ALUM
16	REINFORCEMENT (LOCK & MEETING STILE)	STEEL
18	#8 X 1-1/4" PFH SMS	STEEL
19	LOWER FLANKER STOP (2991C)	NYLON
20	UPPER FLANKER STOP (2991B)	NYLON

* THE APPROVED WHITE RIGID PVC EXTERIOR EXTRUSIONS FOR WINDOWS ARE TO BE PRODUCED BY EXTRUDERS LICENSEES IN "AAMA CERTIFICATION PROGRAMS FOR RIGID PVC EXTRUSIONS".



Documents Prepared By:

RW BUILDING CONSULTANTS, INC.
P.O. Box 230 Valrico FL 33595
Phone No.: 813.659.9197
Florida Board of Professional Engineers
Certificate of Authorization No. 9813
Lyndon F. Schmidt, P.E. No. 43409

PRODUCT: 7700/9900 SERIES

PART OR ASSEMBLY:
BILL OF MATERIALS, COMPONENTS
& GLAZING DETAILS

NO	DATE	BY

DATE: 4/25/13
SCALE: N.T.S.
DWG. BY: JK
CHK. BY: LFS
DRAWING NO.: FL-16092.10
SHEET 6 OF 6