

WINCORE™

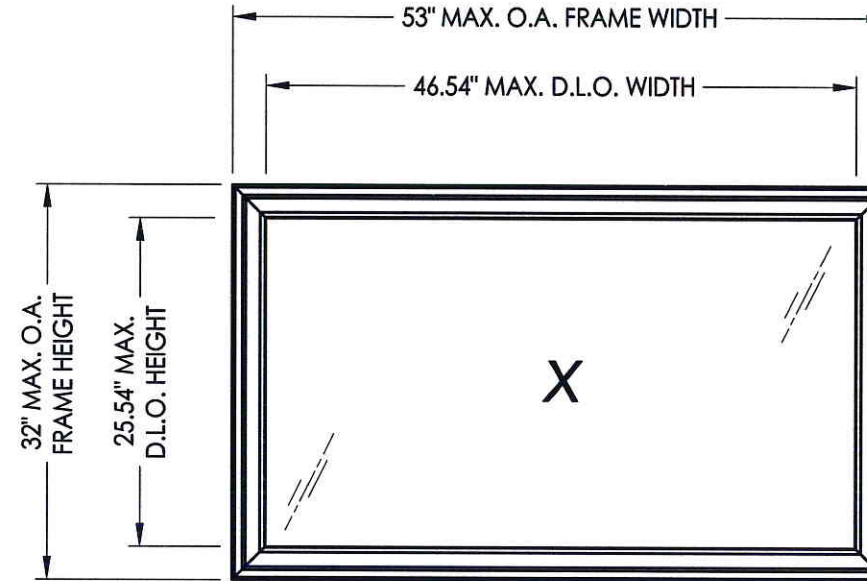
WINDOWS & DOORS

250 Staunton Turnpike, Parkersburg, WV 26104

8400 Series Vinyl Awning Window "NON-IMPACT"

GENERAL NOTES

1. This product has been evaluated and is in compliance with the 2010 Florida Building Code (FBC) structural requirements excluding the "High Velocity Hurricane Zone" (HVHZ).
2. Product anchors shall be as listed and spaced as shown on details. Anchor embedment to base material shall be beyond wall dressing or stucco.
3. When used in areas requiring wind borne debris protection this product is required to be protected with an impact resistant covering that complies with Section 1609.1.2 of the FBC.
4. For 2x stud framing construction, anchoring of these units shall be the same as that shown for 2x buck masonry construction.
5. Site conditions that deviate from the details of this drawing require further engineering analysis by a licensed engineer or registered architect.



| MAX. FRAME DIMENSION | MAX. D.L.O. DIMENSION | GLASS TYPE | DESIGN PRESSURE (PSF) | |
|----------------------|-----------------------|------------|-----------------------|----------|
| | | | POSITIVE | NEGATIVE |
| 53.0" X 32.0" | 46.54" X 25.54" | G1 | +55.0 | -55.0 |
| | | G2 | +65.0 | -65.0 |

| TABLE OF CONTENTS | |
|-------------------|--|
| SHEET# | DESCRIPTION |
| 1 | Typical elevations, design pressures and general notes |
| 2 | Horizontal cross sections |
| 3 | Buck and frame anchoring |
| 4 | Bill of materials, components and glazing detail |

Documents Prepared By:

RW BUILDING CONSULTANTS, INC.
P.O. Box 230 Vairico FL 33595
Phone No.: 813.659.9197
Florida Board of Professional Engineers
Certificate Of Authorization No. 9813
LFS 5.1.13
Lyndon F. Schmidt, P.E. No. 43409

PRODUCT: 8400 SERIES Vinyl Awning Window
PART OR ASSEMBLY: TYPICAL ELEVATION, DESIGN PRESSURES & GENERAL NOTES

| NO. | DATE | REVISIONS |
|-----|---------|----------------------|
| 1 | 4/04/13 | UPDATED D.P./GLAZING |
| | | LFS |
| | | BY |

DATE: 8/2/12

SCALE: N.T.S.

DWG. BY: JK

CHK. BY: LFS

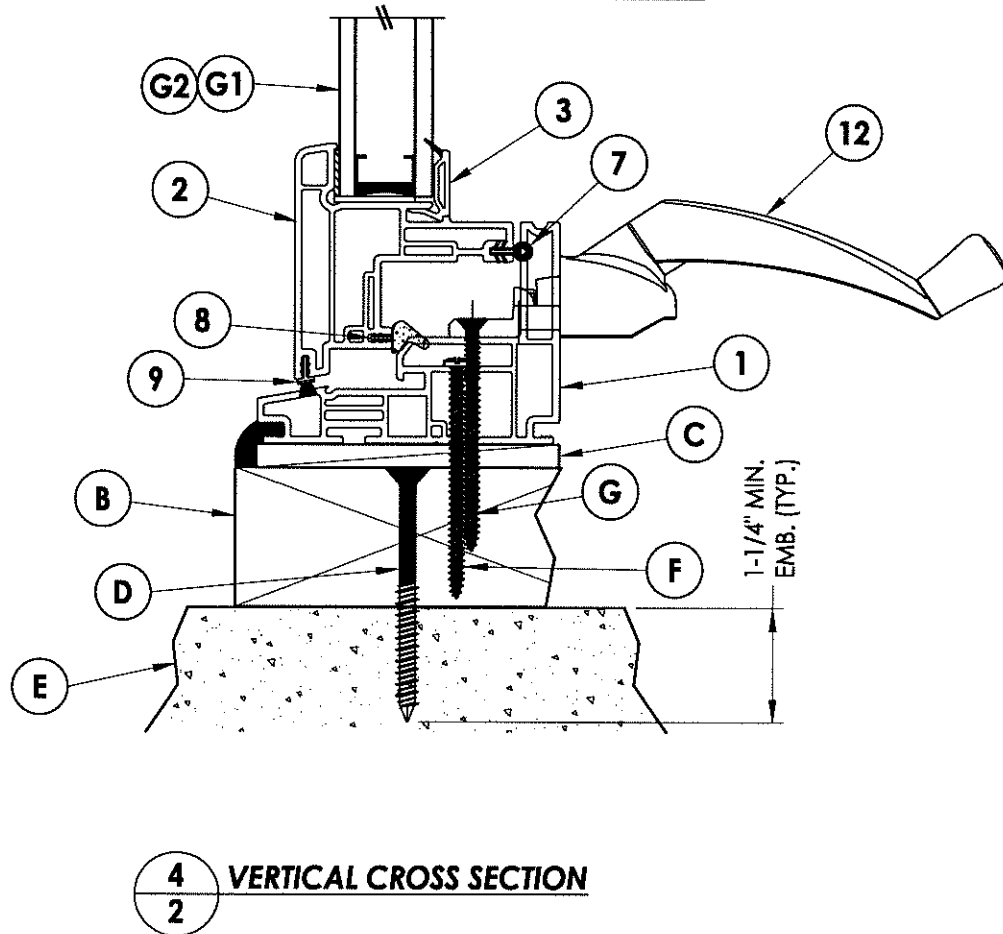
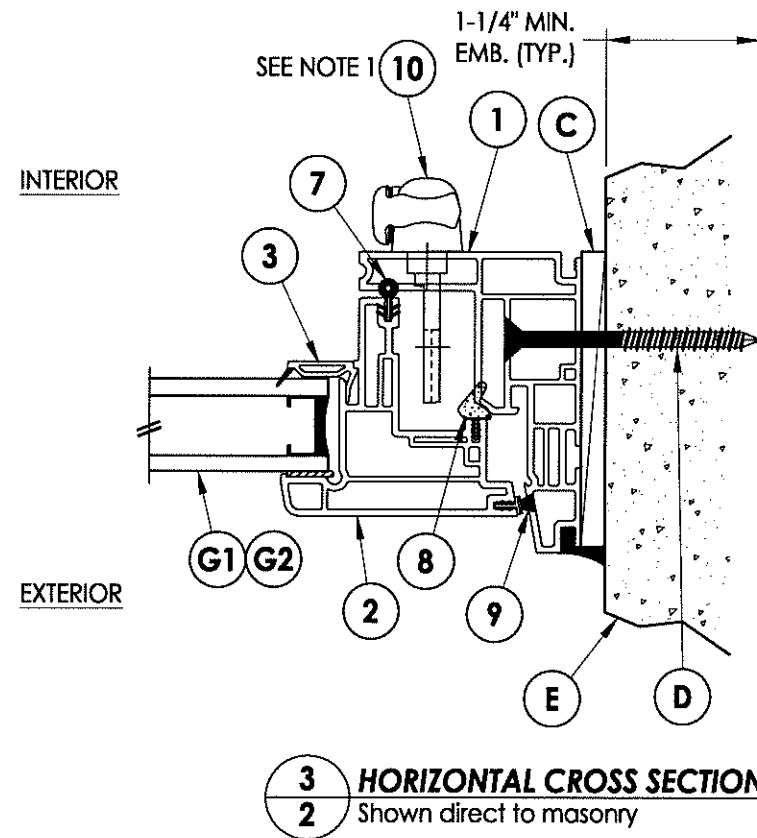
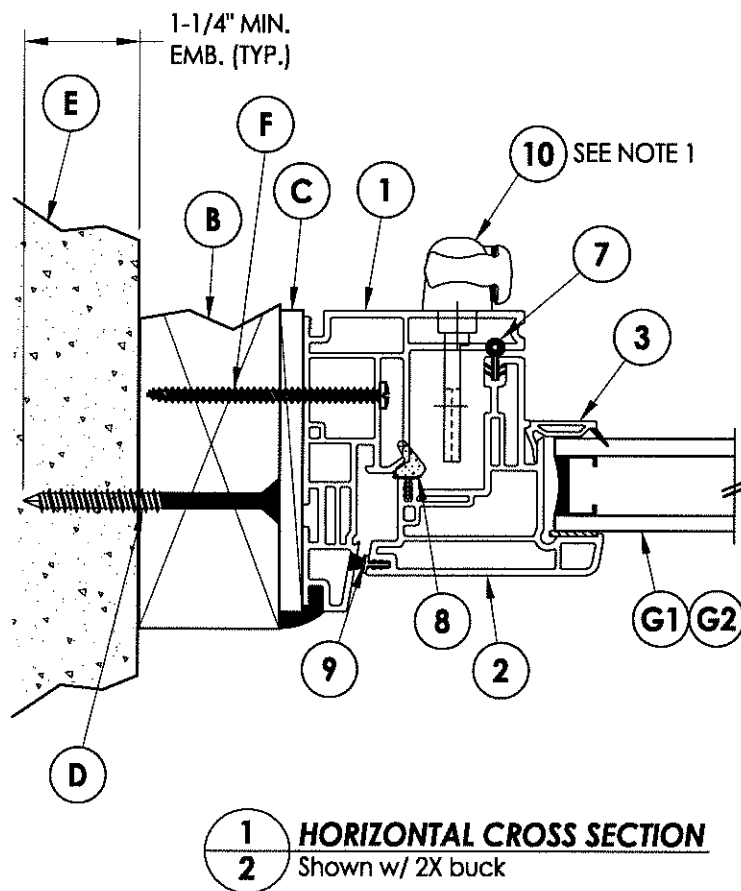
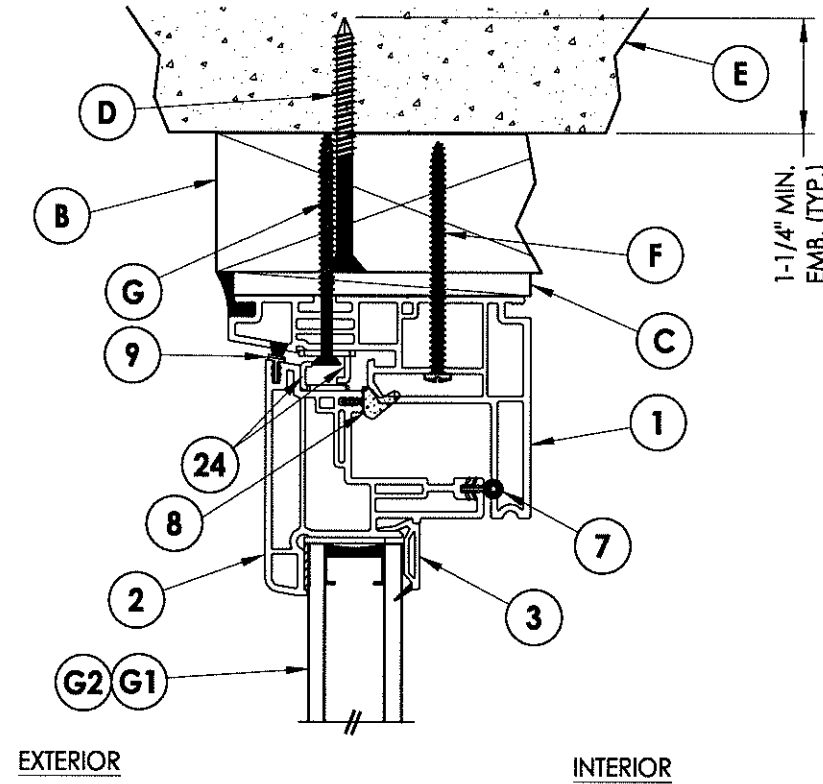
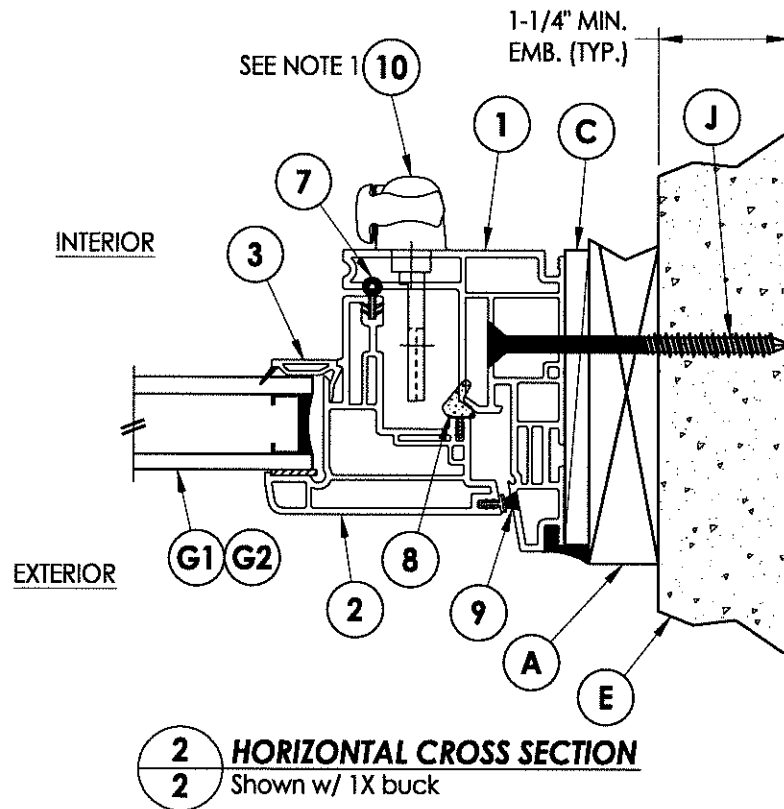
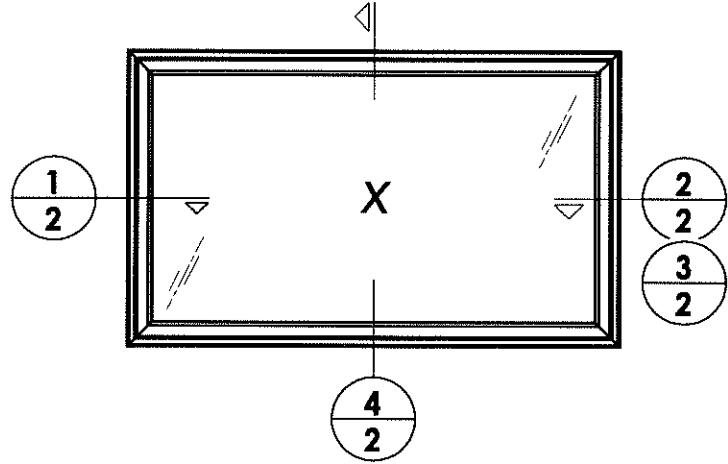
DRAWING NO.:

FL-15818.1

SHEET 1 OF 4

R:\A - Projects\Project Folders\Proj_1601 - 1700\VP 1677.D. RWBC Drawings\Case.Awn Window\FL-15818.dwg, 2.1

Note:
1. Locks located @ 9" from the bottom of each stile.

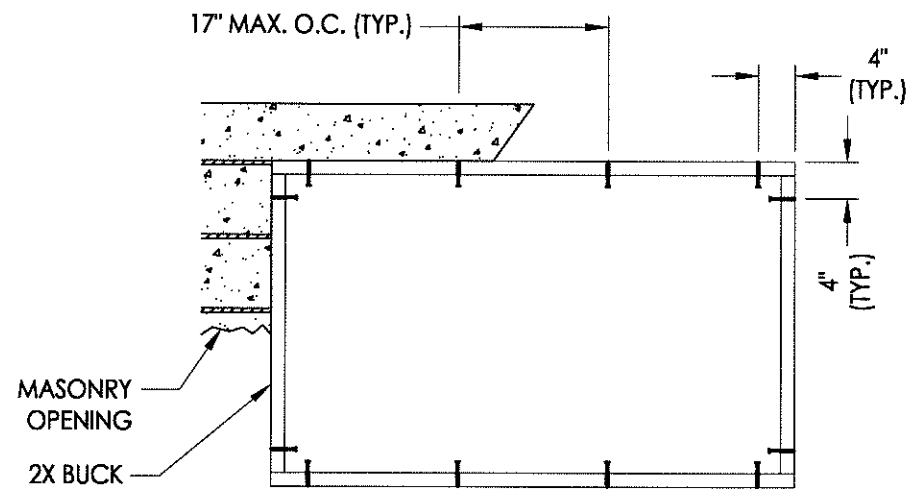


Documents Prepared By:
RW BUILDING CONSULTANTS, INC.
P.O. Box 230 Valrico FL 33595
Phone No.: 813.659.9197
Florida Board of Professional Engineers
Certificate Of Authorization No. 9813
LFS S.F.B.
Lyndon F. Schmidt, P.E. No. 43409

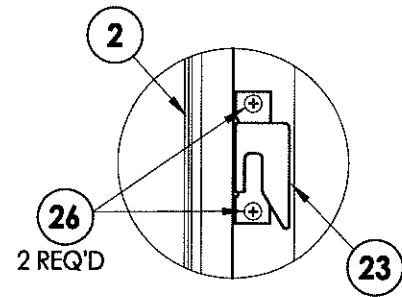
PRODUCT:
8400 SERIES
Vinyl Awning Window
PART OR ASSEMBLY:
HORIZONTAL
CROSS SECTIONS

| NO | DATE | DESCRIPTION | BY |
|----|---------|----------------------|-----|
| 1 | 4/04/13 | UPDATED D.P./GLAZING | LFS |

DATE: 8/2/12
SCALE: N.T.S.
DWG. BY: JK
CHK. BY: LFS
DRAWING NO.: FL-15818.1
SHEET 2 OF 4



BUCK ANCHORING



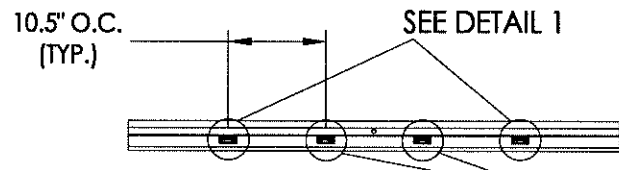
KEEPER DETAIL

Located 4" above bottom of each sash

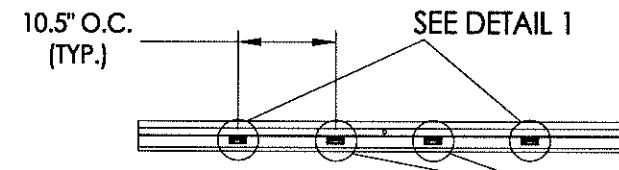
CONCRETE ANCHOR NOTES:

1. Substitution of equal concrete anchors from a different supplier may have different edge distance and center distance requirements.
2. Concrete anchor locations at the corners may be adjusted to maintain the min. edge distance to mortar joints. If concrete anchor locations noted as "MAX. ON CENTER" must be adjusted to maintain the min. edge distance to mortar joints, additional concrete anchors may be required to ensure the "MAX. ON CENTER" dimensions are not exceeded.
3. Concrete anchor table:

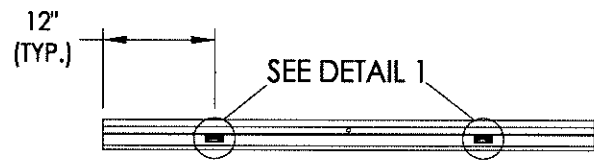
| ANCHOR TYPE | ANCHOR SIZE | MIN. EMBEDMENT | MIN. CLEARANCE TO MASONRY EDGE | MIN. CLEARANCE TO ADJACENT ANCHOR |
|-------------|-------------|----------------|--------------------------------|-----------------------------------|
| ITW | 1/4" | 1-1/4" | 2-1/2" | 3" |
| ELCO | 1/4" | 1-1/4" | 1" | 4" |



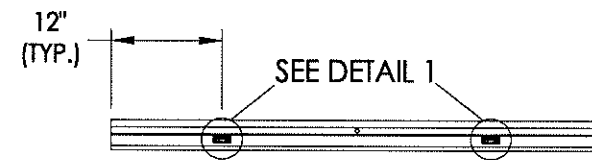
SNUBBER LOCATIONS
4 Req'd for DP > 50 PSF



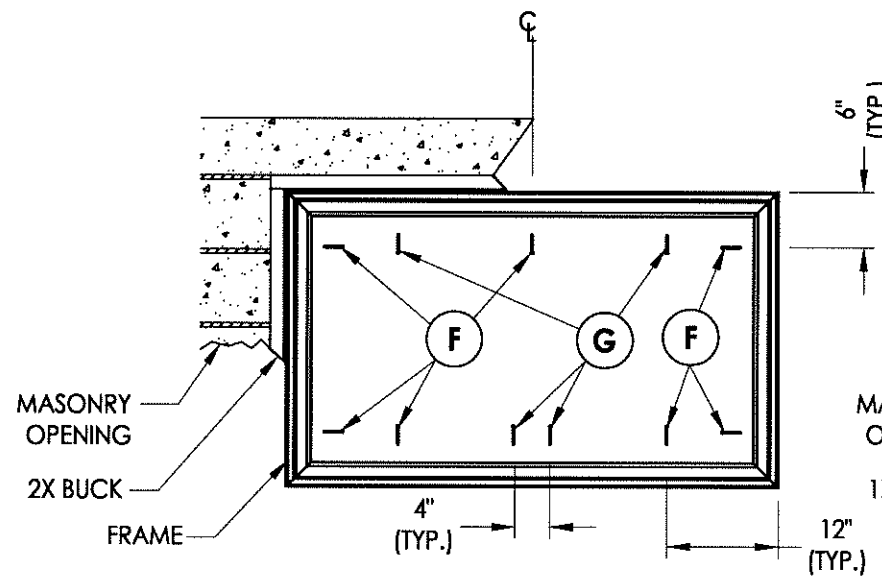
SNUBBER LOCATIONS
4 Req'd for DP > 50 PSF



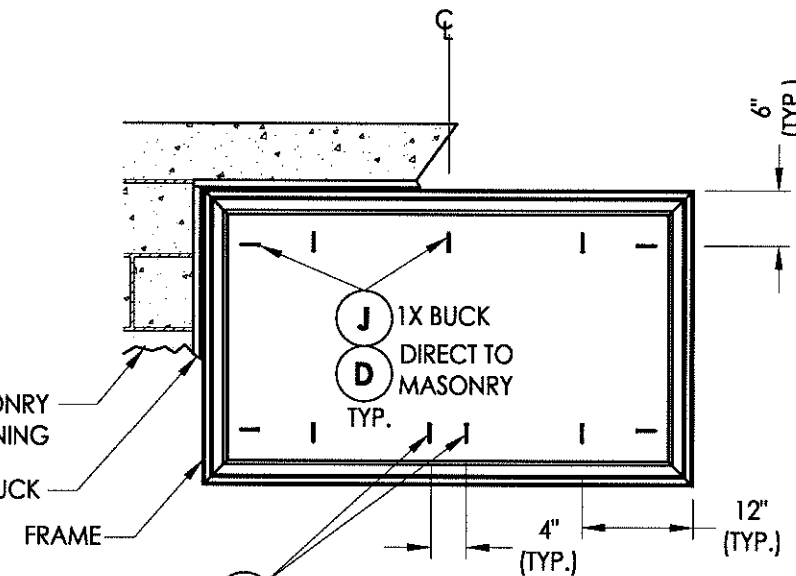
SNUBBER LOCATIONS
2 Req'd for DP <= 50 PSF



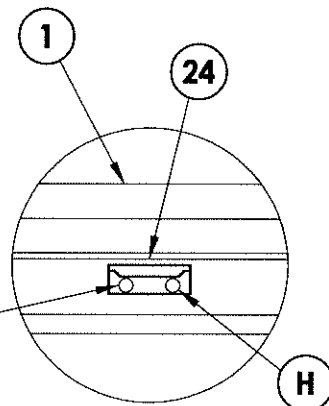
SNUBBER LOCATIONS
2 Req'd for DP <= 50 PSF



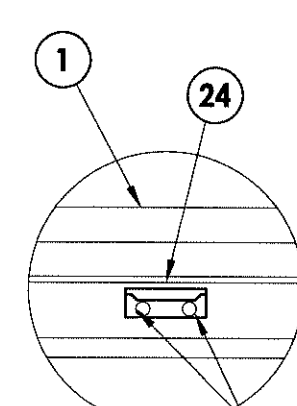
FRAME ANCHORING
2X Buck



BUCK ANCHORING
1X Buck Direct to masonry



DETAIL 1



DETAIL 2

Documents Prepared By:
RW BUILDING CONSULTANTS, INC.
 P.O. Box 230 Valrico FL 33595
 Phone No.: 813.659.9197
 Florida Board of Professional Engineers
 Certificate Of Authorization No. 9813
 Lyndon F. Schmidt, P.E. No. 43409

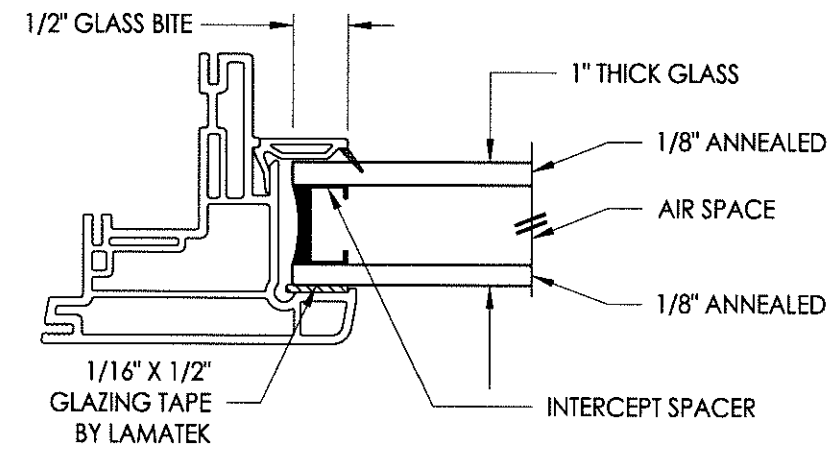
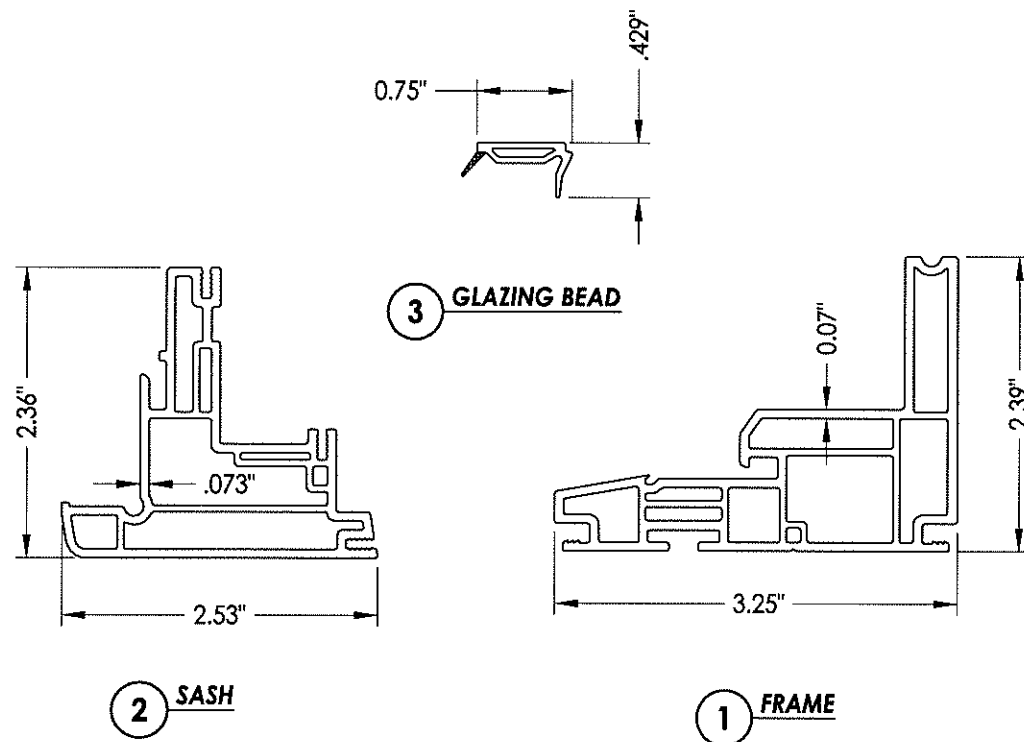
PRODUCT: 8400 SERIES Vinyl Awning Window
 PART OR ASSEMBLY: BUCK AND FRAME ANCHORING

| NO. | DATE | REVISIONS |
|-----|---------|----------------------|
| 1 | 4/04/13 | UPDATED D.P./GLAZING |

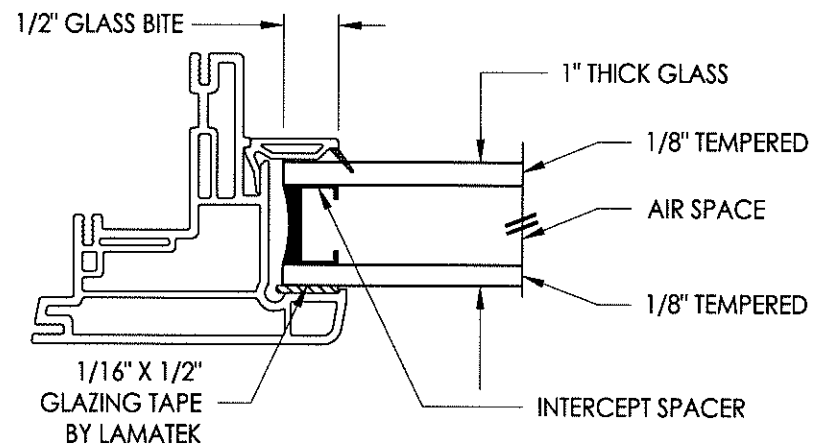
DATE: 8/2/12
 SCALE: N.T.S.
 DWG. BY: JK
 CHK. BY: LFS
 DRAWING NO.: FL-15818.1
 SHEET 3 OF 4

| BILL OF MATERIALS | | |
|-------------------|--|----------|
| ITEM # | DESCRIPTION | MATERIAL |
| A | 1X BUCK SG >= 0.42 | WOOD |
| B | 2X BUCK SG >= 0.42 | WOOD |
| C | 1/4" MAX. SHIM SPACE | - |
| D | 1/4" X 2-3/4" PFH ELCO OR ITW CONCRETE SCREW | STEEL |
| E | MASONRY - 3,192 PSI MIN. CONCRETE CONFORMING TO ACI 301 OR HOLLOW BLOCK CONFORMING TO ASTM C90 | CONCRETE |
| F | #8 X 2-1/2" PPH WOOD SCREW | STEEL |
| G | #8 X 2-1/2" PFH WOOD SCREW | STEEL |
| H | #8 X 5/8" PFH SMS | STEEL |
| J | 1/4" X 3-1/4" PFH ELCO OR ITW CONCRETE SCREW | STEEL |
| K | 1/4" X 3-3/4" PFH ELCO OR ITW CONCRETE SCREW | STEEL |
| 1 | FRAME* | PVC |
| 2 | SASH* | PVC |
| 3 | GLAZING BEAD* | PVC |
| 7 | WEATHERSTRIP AMESBURY (CS 120 33-SEAL) | FOAM |
| 8 | WEATHERSTRIP AMESBURY (12300 SEAL) | VINYL |
| 9 | WEATHERSTRIP ULTRA FAB .250 (PILE - 250 - KP52) | VINYL |
| 10 | MULTI-POINT LOCK (TRUTH) 24.33.32.004 | - |
| 12 | OPERATOR (TRUTH) 50.10.00.011 | - |
| 23 | KEEPER (TRUTH) | STEEL |
| 24 | SNUBBER (TRUTH) (SASH/FRAME) 22999 | - |
| 26 | #8 X 1/2" TRUSS HEAD SMS | STEEL |

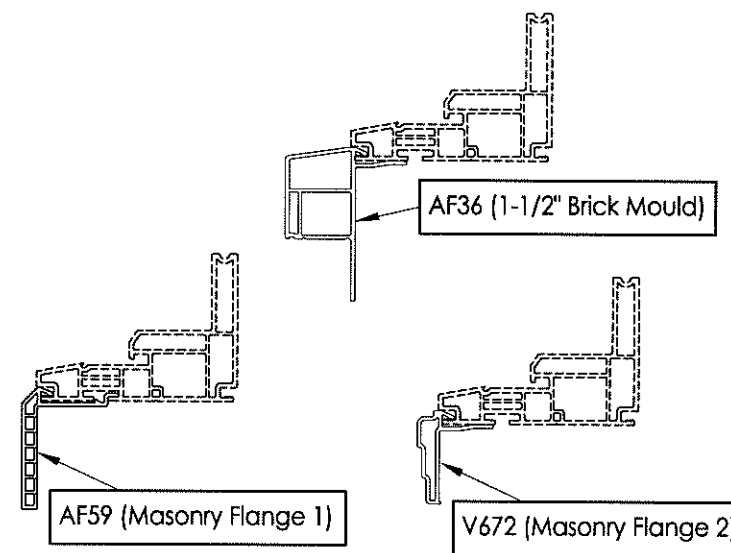
* THE APPROVED WHITE RIGID PVC EXTRUSIONS FOR WINDOWS ARE TO BE PRODUCED BY EXTRUDERS LICENSEES IN "AAMA CERTIFICATION PROGRAMS FOR RIGID PVC EXTRUSIONS".



G1 GLAZING DETAIL



G2 GLAZING DETAIL



OPTIONAL COSMETIC FLANGES

Documents Prepared By:

RW BUILDING CONSULTANTS, INC.
 P.O. Box 230 Valrico FL 33595
 Phone No.: 813.659.9197
 Florida Board of Professional Engineers
 Certificate Of Authorization No. 9813
 Lyndon F. Schmidt, P.E. No. 43409

PRODUCT: 8400 SERIES Vinyl Awning Window
 PART OR ASSEMBLY: BILL OF MATERIALS, COMPONENTS AND GLAZING DETAIL

| NO | DATE | UPDATED D.P./GLAZING | LFS | BY |
|----|---------|----------------------|-----|----|
| 1 | 4/04/13 | | | |

REVISIONS

DATE: 8/2/12
 SCALE: N.T.S.
 DWG. BY: JK
 CHK. BY: LFS
 DRAWING NO.: FL-15818.1
 SHEET 4 OF 4